

4

3

2

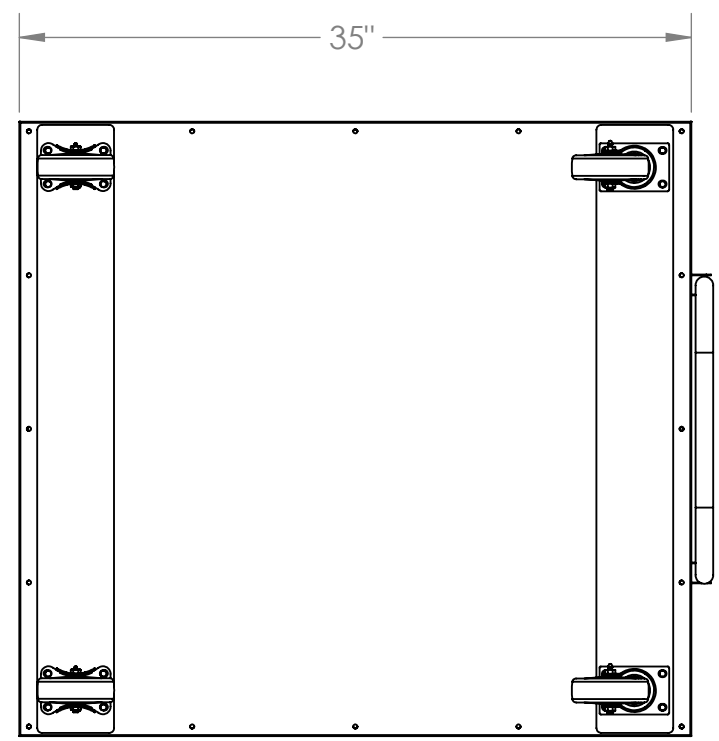
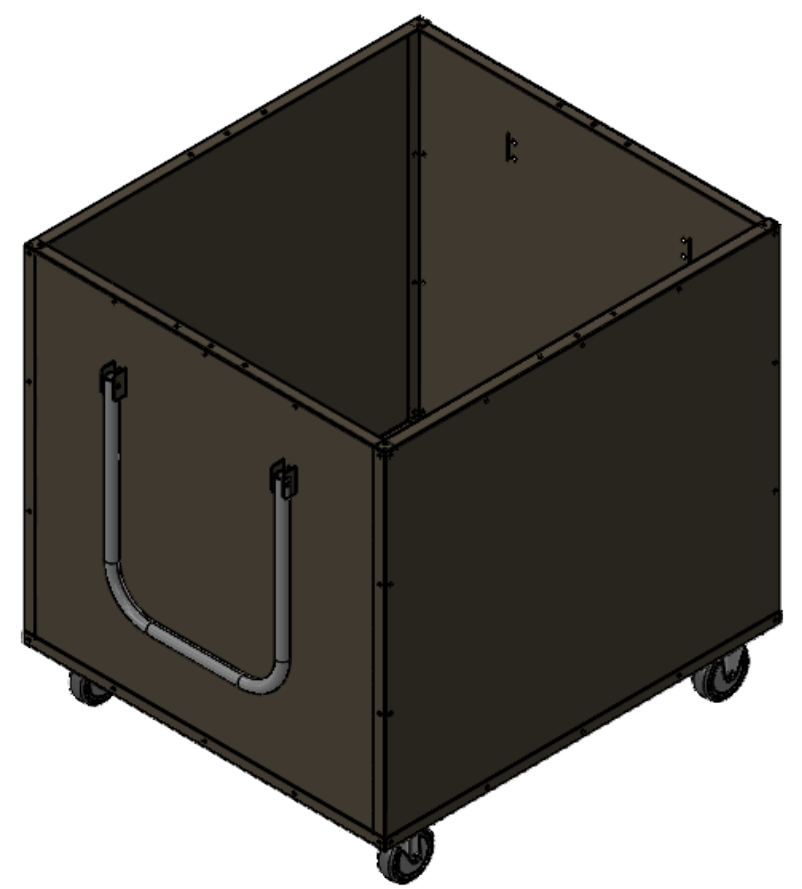
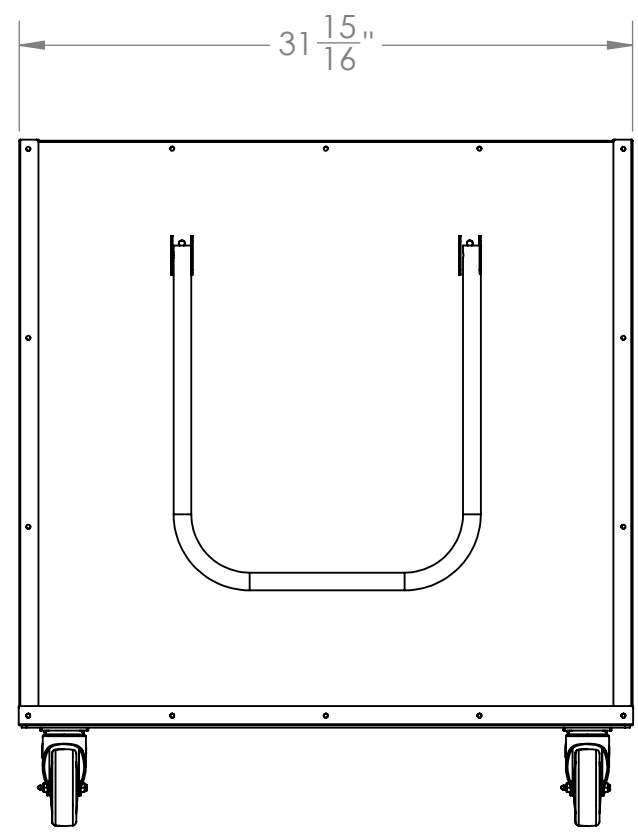
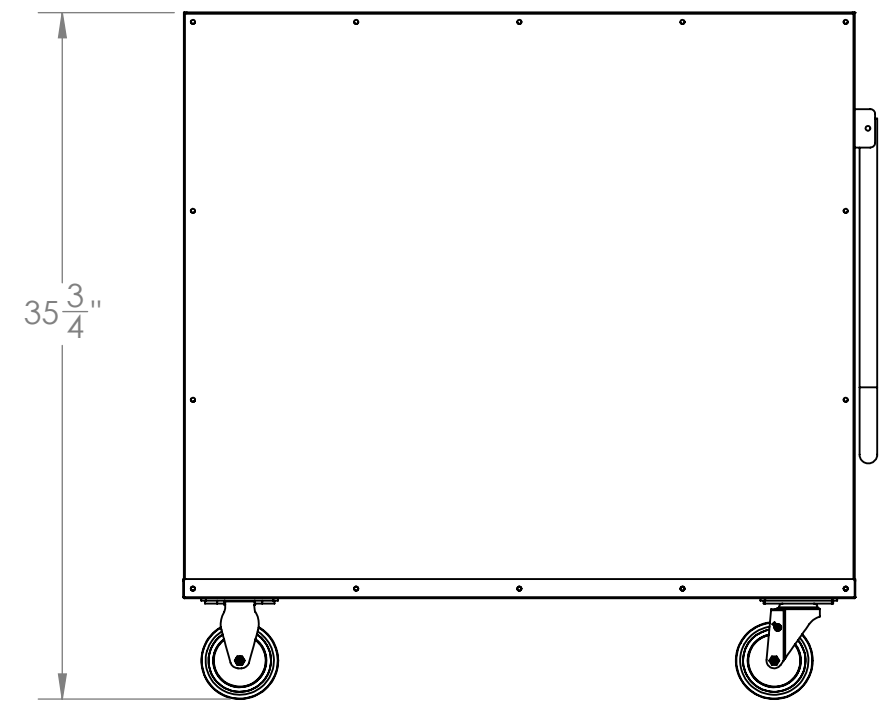
1

B

B

A

A



4

3

2

1

1010 SUMIT AVE N  
SAUK RAPIDS, MN 56379  
Sales: (866) 269-4955  
Support: (877) 350-0693

**UNLESS OTHERWISE SPECIFIED**  
DIMENSIONS ARE IN INCHES  
TOLERANCES:  
FRACTIONAL  $\pm 1/8"$   
ANGULAR: MACH  $\pm .5^\circ$  BEND  $\pm 1^\circ$   
ONE PLACE DECIMAL  $\pm .1$   
TWO PLACE DECIMAL  $\pm .03$   
THREE PLACE DECIMAL  $\pm .015$

**PROPRIETARY AND CONFIDENTIAL**  
THE INFORMATION CONTAINED IN THIS DRAWING IS THE SOLE PROPERTY OF AMERICAN SECURITY CABINETS INC. ANY REPRODUCTION IN PART OR AS A WHOLE WITHOUT THE WRITTEN PERMISSION OF AMERICAN SECURITY CABINETS INC. IS PROHIBITED.

PRODUCT DESCRIPTION:  
**M1010 BOOK TRUCK CUT SHEET**

Updated: 2024    SCALE: 1:10    SHEET 1 OF 1

**DO NOT SCALE DRAWING**