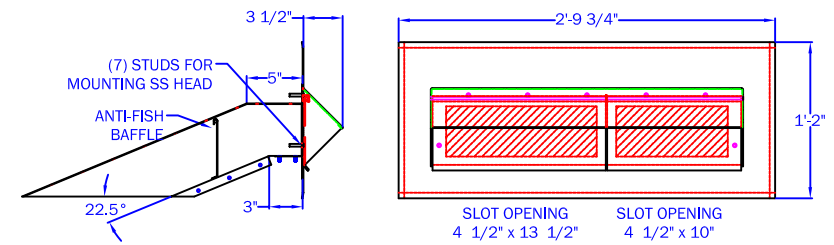


| MODEL 910-TW DOUBLE DROP INCLUDES | |
|-----------------------------------|--|
| PART ID | DESCRIPTION |
| 0145 | SS HEAD, COATED STEEL TOP, CABINET, & DELIVERY CHUTE. LOCK AND KEYS, AND M910 BOOK TRUCK FEATURES GENTLE DROP NO-TIP FLOOR |

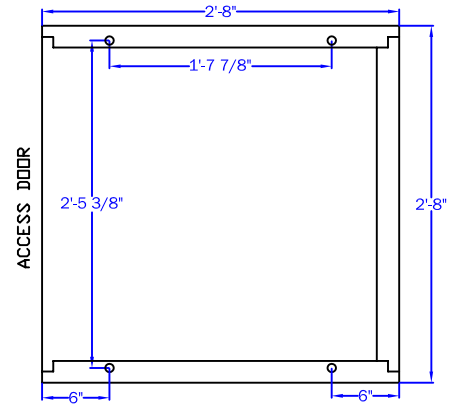
| ACCESSORY OPTIONS | |
|-------------------|---|
| PART ID | DESCRIPTION |
| 0608 | LOCKABLE LIFT PLATE INCLUDES LOCK BAR, PAD LOCK, AND 2 KEYS |
| 1823 | EXTRA M910 BOOK TRUCK FEATURES GENTLE DROP NO-TIP FLOOR |
| 1114 | COLOR COATED ARMOR ENTIRE STAINLESS STEEL HEAD ONE COLOR |

SS HEAD & DELIVERY CHUTE DETAIL



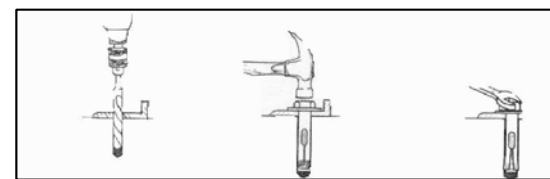
LEFT SIDE VIEW

FRONT VIEW



M910-TW ANCHORS WITH (4) 1/2" SS ANCHORS

1. MARK AND DRILL HOLE SAME
 2. TAP IN ANCHOR
 3. SECURE WITH WRENCH
- SIZE AS ANCHOR



FOOT PRINT

WALL DEPTH ELEVATIONS

ASSUMES SAME INTERIOR AND EXTERIOR GRADE

| WALL DEPTH | C.I. OF ROUGH OPENING |
|------------|-----------------------|
| 4" - 6" | 42 1/4" - 43" |
| 6" - 8" | 43" - 44" |
| 8" - 10" | 44" - 44 3/4" |
| 10" - 12" | 44 3/4" - 45 1/2" |
| 12" - 14" | 45 1/2" - 46 1/2" |
| 14" - 16" | 46 1/2" - 47 1/4" |
| 16" - 18" | 47 1/4" - 48" |
| 18" - 20" | 48" - 48 3/4" |

THE INFORMATION CONTAINED IN THIS DRAWING IS THE SOLE PROPERTY OF AMERICAN BOOK RETURNS. ANY MISUSE IN PART OR AS A WHOLE IS STRICTLY PROHIBITED BY AMERICAN BOOK RETURNS.

AMERICAN BOOK RETURNS
120 6TH AVE. NORTH
ST. CLOUD, MN 56303
320-253-3044

TITLE
THRU-WALL_DOUBLE DROP WALL CUT OUT

PART NAME
MODEL 910-TW DOUBLE DROP

| REV | DESCRIPTION | DATE | BY | TOL: UNLESS OTHERWISE SPECIFIED |
|-----|-----------------|----------|-----|---------------------------------|
| 2 | MATERIAL CHANGE | 11-08-10 | JRS | ANGLES: ±1° |
| | RELEASE | 01-01-09 | JRS | .XX±.030 .XXX±.010 |

| SHEET | PART ID # | SCALE | REV |
|--------|-----------|--------------|-----|
| 1 OF 1 | 0145 | NOT TO SCALE | 2 |