

4

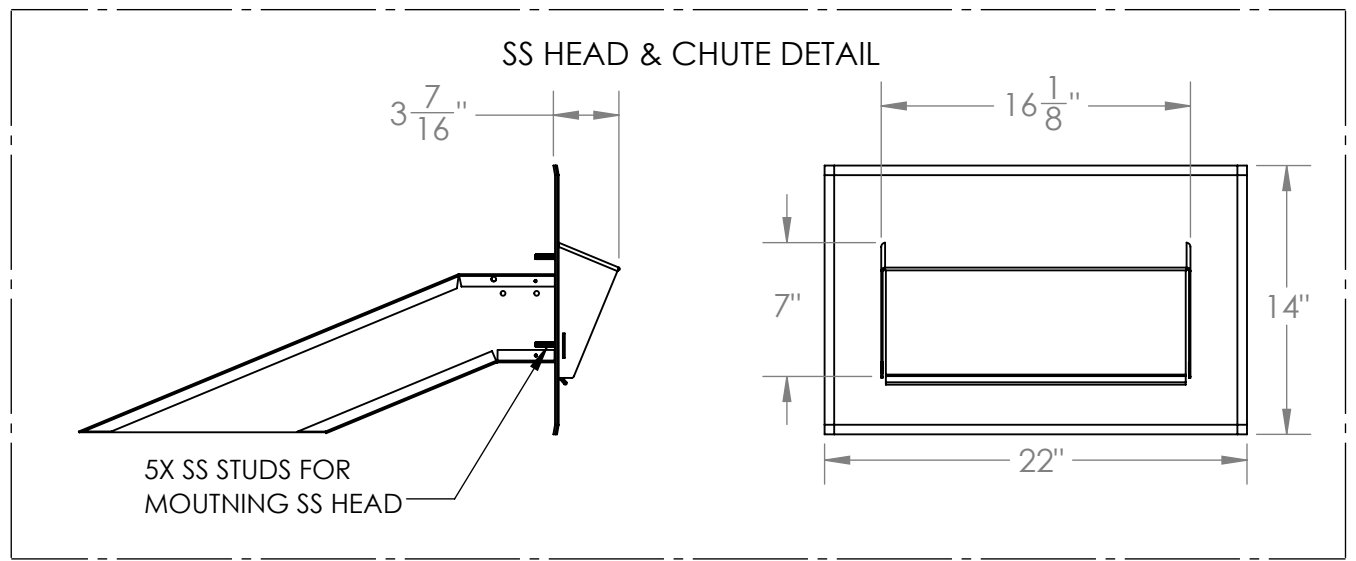
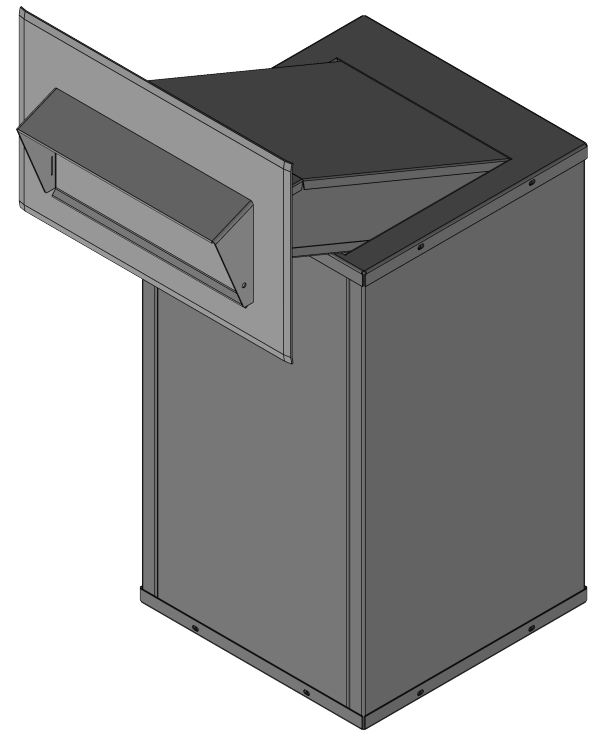
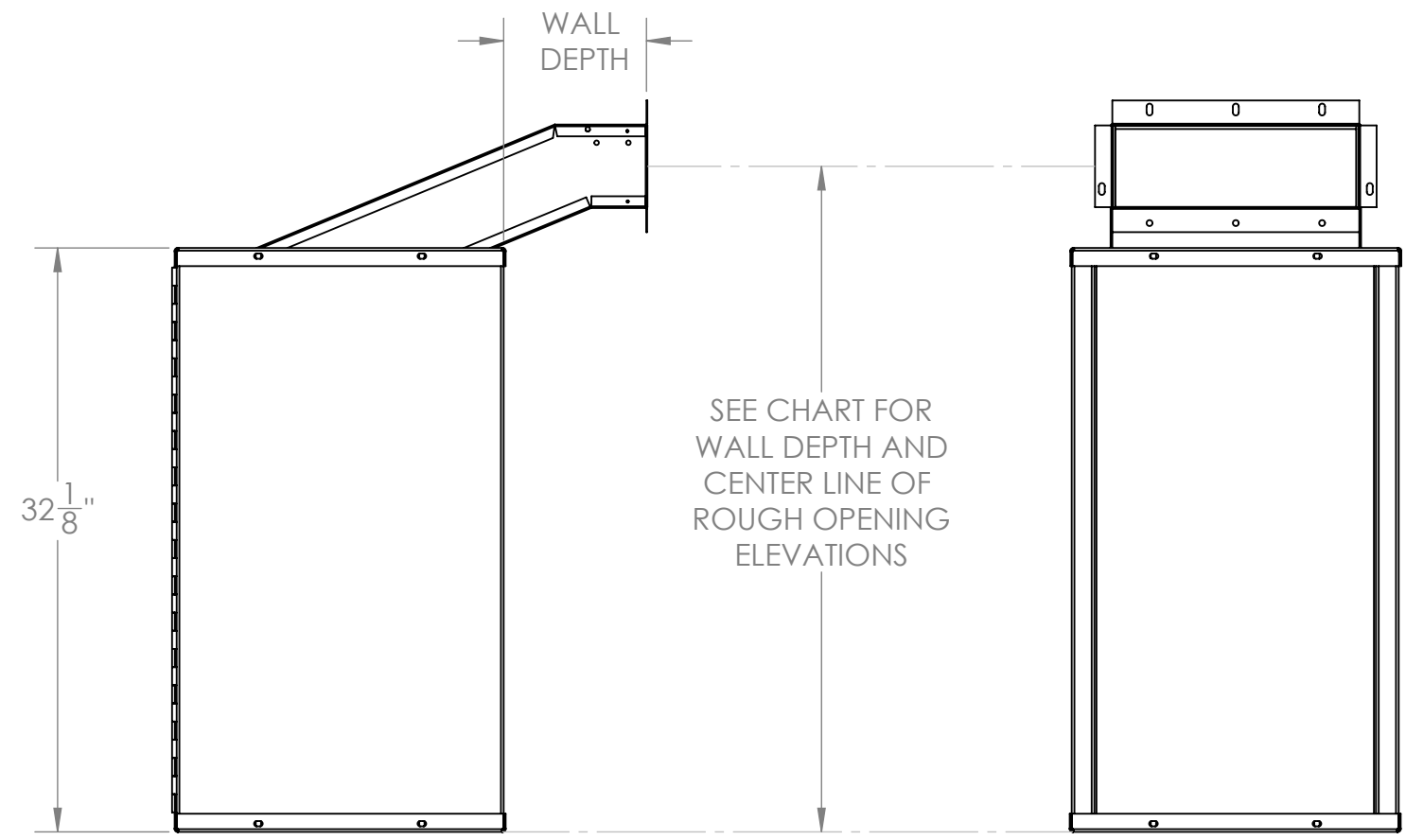
3

2

1

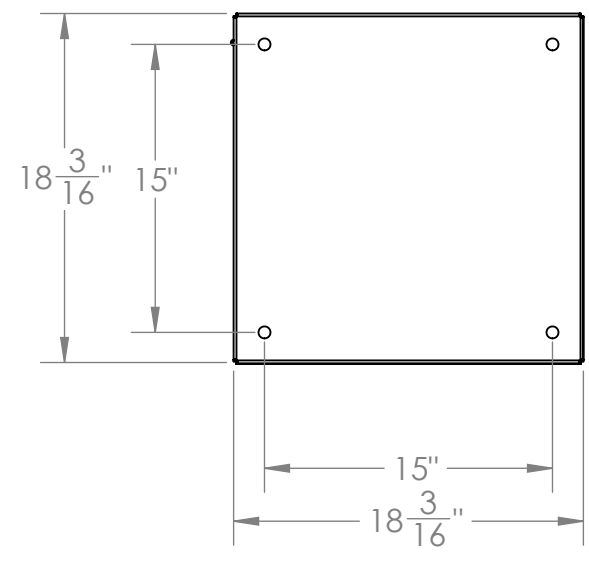
B

B



A

A



WALL DEPTH ELEVATIONS
(ASSUMES THAT THE INTERIOR AND EXTERIOR GRADES ARE THE SAME)

WALL DEPTH	CENTER LINE
4" - 6"	34 15/16" - 35 3/4"
6" - 8"	35 3/4" - 36 9/16"
8" - 10"	36 9/16" - 37 7/16"
10" - 12"	37 7/16" - 38 1/4"
12" - 14"	38 1/4" - 39 1/6"
14" - 16"	39 1/6" - 39 7/8"
16" - 18"	39 7/8" - 40 3/4"
18" - 20"	40 3/4" - 41 9/16"
20" - 22"	41 9/16" - 42 3/8"
22" - 24"	42 3/8" - 43 3/16"

American Security Cabinets

1010 SUMMIT AVE N
SAUK RAPIDS, MN 56379

Sales: (866) 269-4955
Support: (877) 350-0693

UNLESS OTHERWISE SPECIFIED
DIMENSIONS ARE IN INCHES
TOLERANCES:
FRACTIONAL ± 1/8"
ANGULAR: MACH ± .5° BEND ± 1°
ONE PLACE DECIMAL ± .1
TWO PLACE DECIMAL ± .03
THREE PLACE DECIMAL ± .015

PROPRIETARY AND CONFIDENTIAL
THE INFORMATION CONTAINED IN THIS DRAWING IS THE SOLE PROPERTY OF AMERICAN SECURITY CABINETS INC. ANY REPRODUCTION IN PART OR AS A WHOLE WITHOUT THE WRITTEN PERMISSION OF AMERICAN SECURITY CABINETS INC. IS PROHIBITED.

PRODUCT DESCRIPTION:

MDU CUT SHEET

Updated: 2024 SCALE: 1:10 SHEET 1 OF 1

4

3

2

1