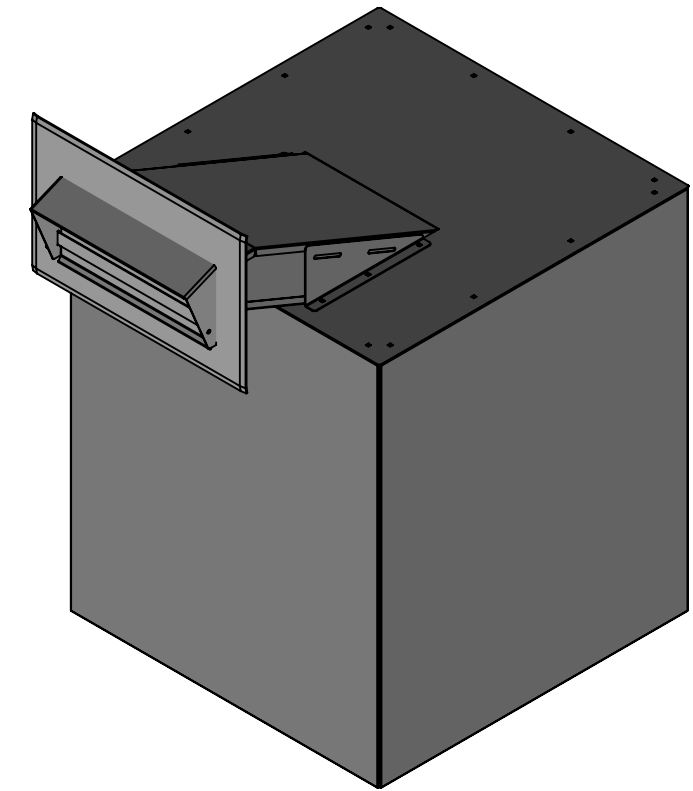
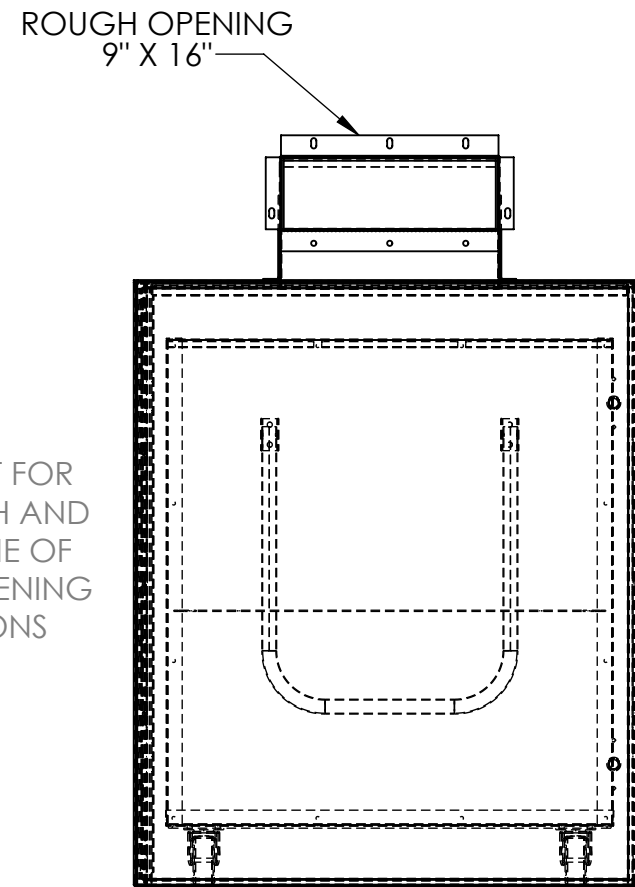
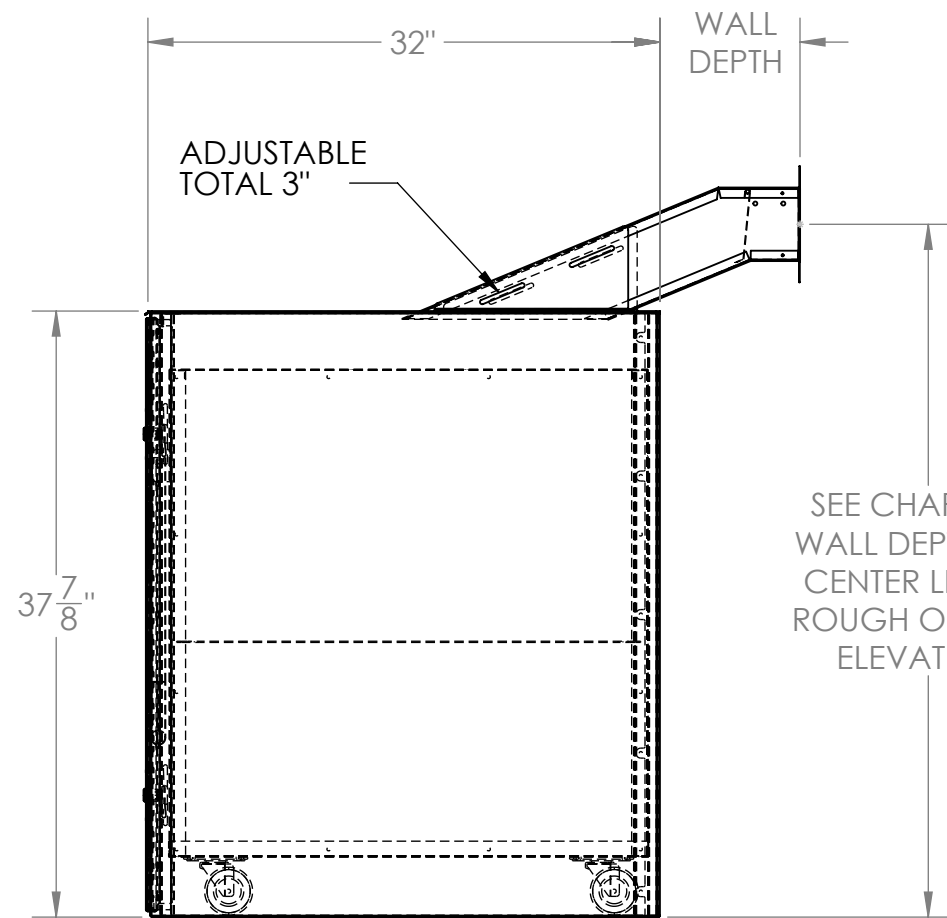


4

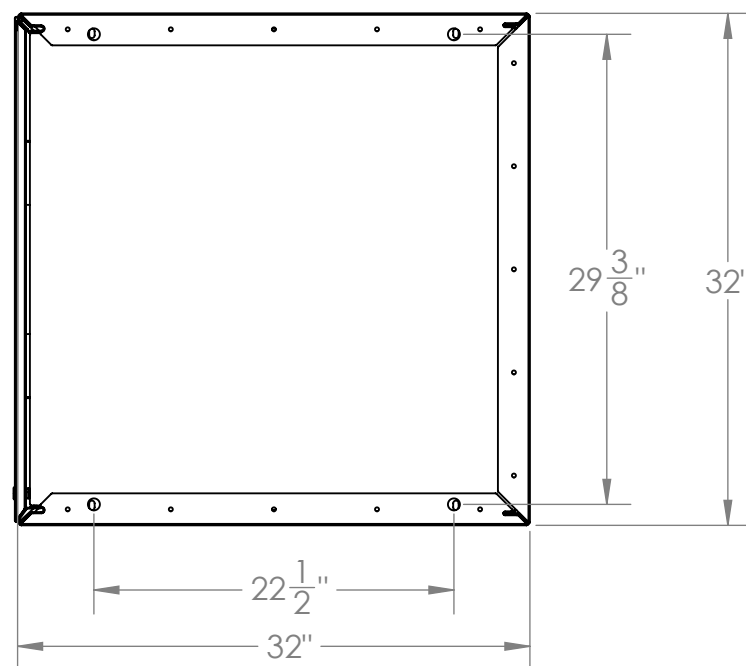
3

2

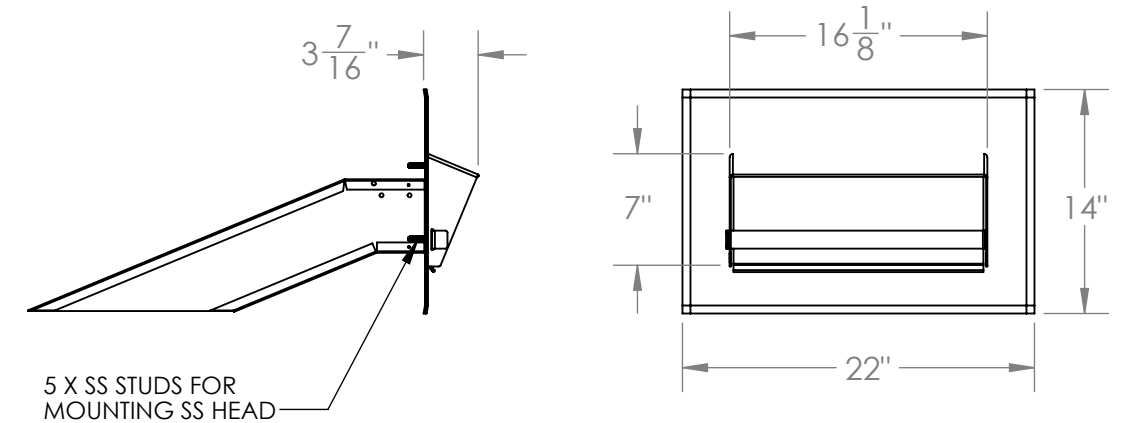
1



ACCESS DOOR CAN BE INSTALLED ON ANY 3 SIDES OF CABINET. THE DOOR CAN ALSO BE HINGED TO LEFT OR RIGHT.



**SS HEAD & CHUTE DETAIL**



WALL DEPTH ELEVATIONS	
(ASSUMES THAT THE INTERIOR AND EXTERIOR GRADES ARE THE SAME)	
WALL DEPTH	CENTER LINE
4" - 6"	41 1/2" - 42 1/4"
6" - 8"	42 1/4" - 43"
8" - 10"	43" - 44"
10" - 12"	44" - 44 3/4"
12" - 14"	44 3/4" - 45 1/2"
14" - 16"	45 1/2" - 46 1/2"
16" - 18"	46 1/2" - 47 1/4"
18" - 20"	47 1/4" - 48"

**American Security Cabinets**

1010 SUMIT AVE N  
SAUK RAPIDS, MN 56379

Sales: (866) 269-4955  
Support: (877) 350-0693

**UNLESS OTHERWISE SPECIFIED**  
DIMENSIONS ARE IN INCHES  
TOLERANCES:  
FRACTIONAL ± 1/8"  
ANGULAR: MACH ± .5° BEND ± 1°  
ONE PLACE DECIMAL ± .1  
TWO PLACE DECIMAL ± .03  
THREE PLACE DECIMAL ± .015

**PROPRIETARY AND CONFIDENTIAL**  
THE INFORMATION CONTAINED IN THIS DRAWING IS THE SOLE PROPERTY OF AMERICAN SECURITY CABINETS INC. ANY REPRODUCTION IN PART OR AS A WHOLE WITHOUT THE WRITTEN PERMISSION OF AMERICAN SECURITY CABINETS INC. IS PROHIBITED.

PRODUCT DESCRIPTION:

**M910 THROUGH WALL CUT SHEET**

Updated: 2024    SCALE: 1:12    SHEET 1 OF 1

4

3

2

1

B

B

A

A