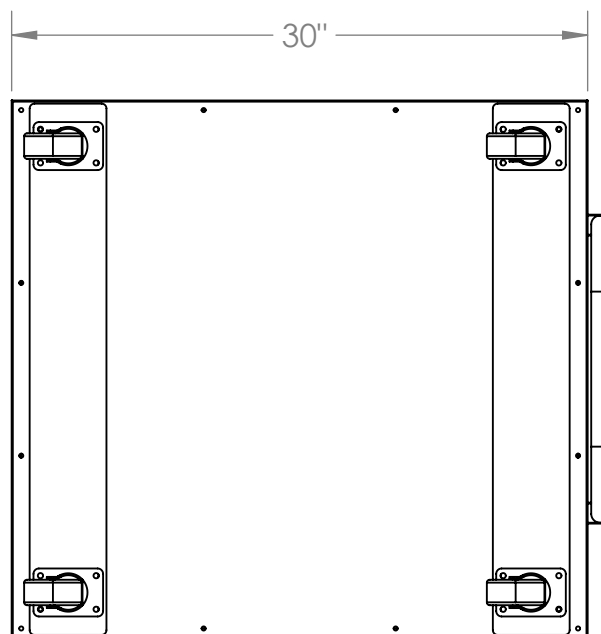
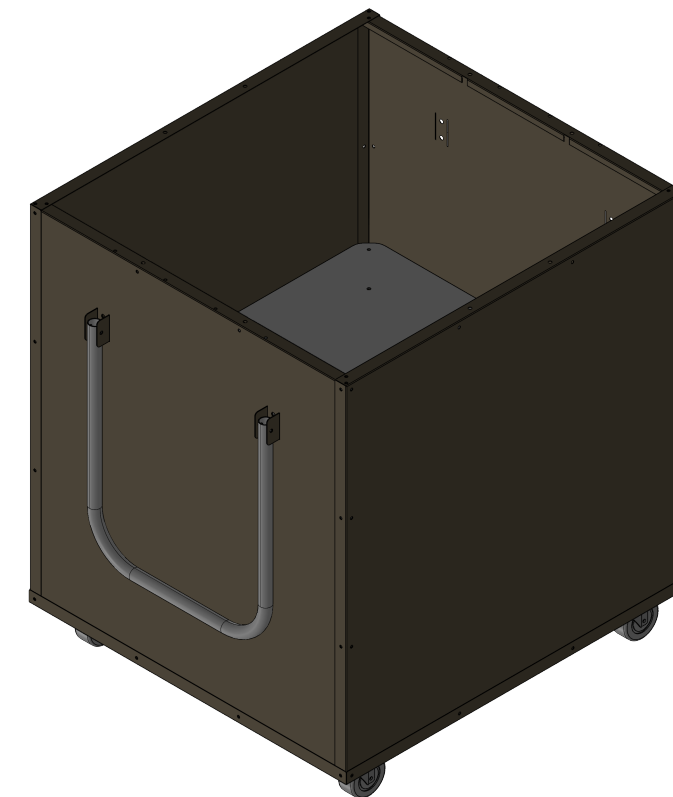
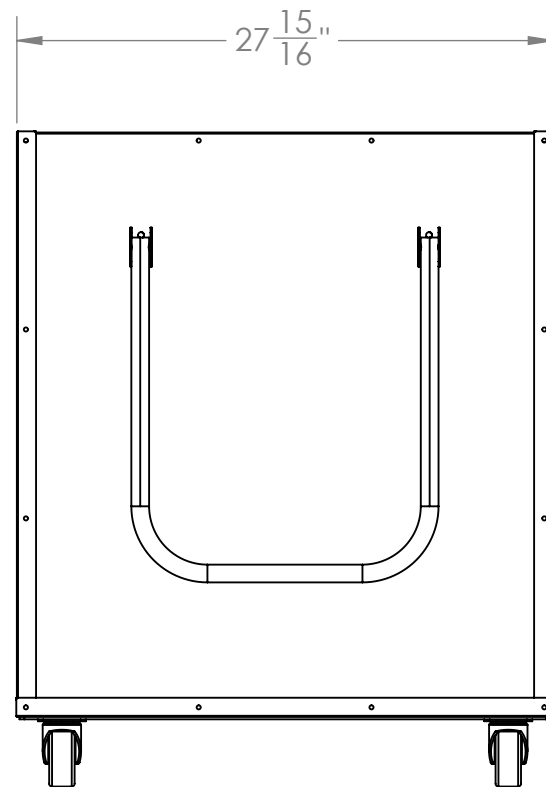
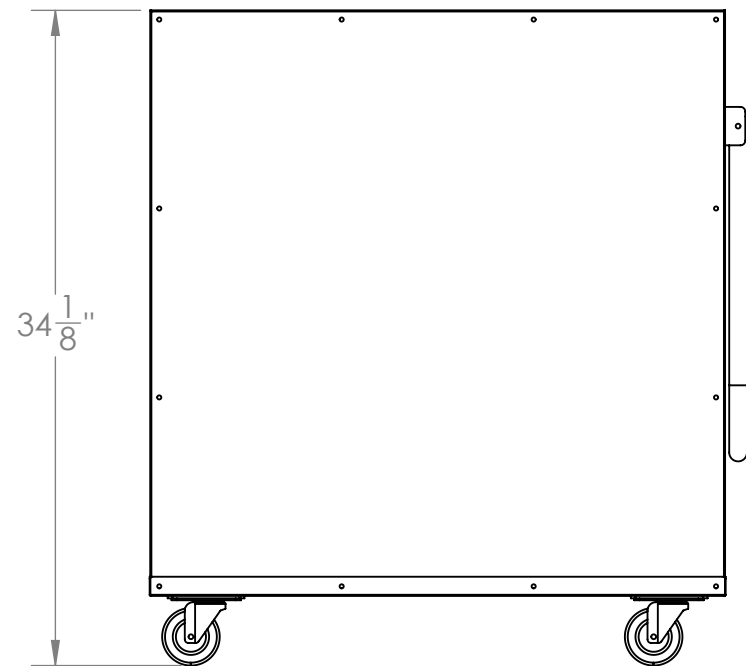



4

3

2

1



 <p>1010 SUMIT AVE N SAUK RAPIDS, MN 56379</p> <p>Sales: (866) 269-4955 Support: (877) 350-0693</p>	<p><b>UNLESS OTHERWISE SPECIFIED</b> DIMENSIONS ARE IN INCHES TOLERANCES: FRACTIONAL ± 1/8" ANGULAR: MACH ± .5° BEND ± 1° ONE PLACE DECIMAL ± .1 TWO PLACE DECIMAL ± .03 THREE PLACE DECIMAL ± .015</p>	<p>PRODUCT DESCRIPTION:</p> <p><b>M910 BOOK TRUCK CUT SHEET</b></p>		
	<p><b>PROPRIETARY AND CONFIDENTIAL</b> THE INFORMATION CONTAINED IN THIS DRAWING IS THE SOLE PROPERTY OF AMERICAN SECURITY CABINETS INC. ANY REPRODUCTION IN PART OR AS A WHOLE WITHOUT THE WRITTEN PERMISSION OF AMERICAN SECURITY CABINETS INC. IS PROHIBITED.</p>	<p><b>DO NOT SCALE DRAWING</b></p>	<p>Updated: 2024</p>	<p>SCALE: 1:10</p>

4

3

2

1

B

B

A

A