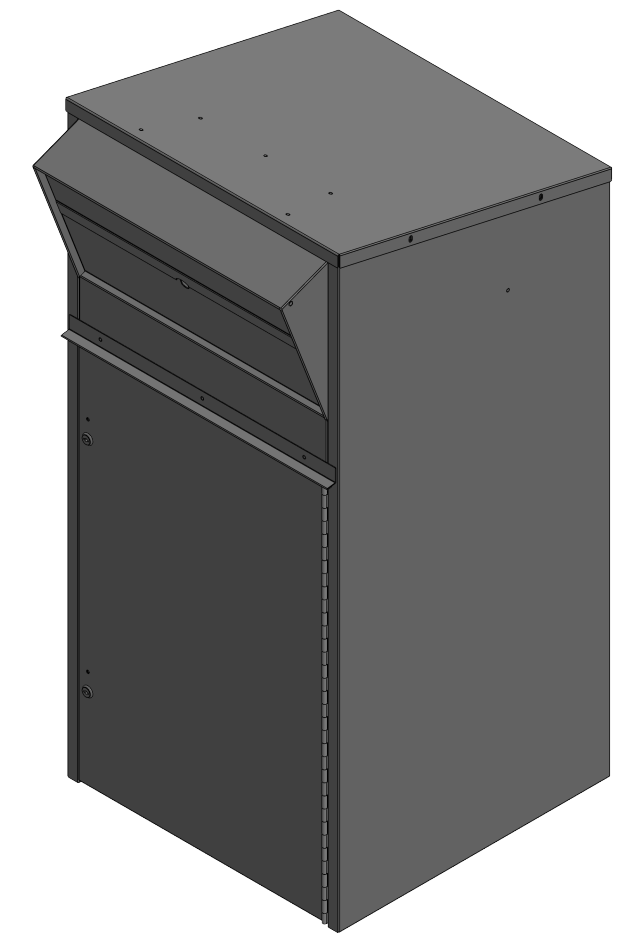
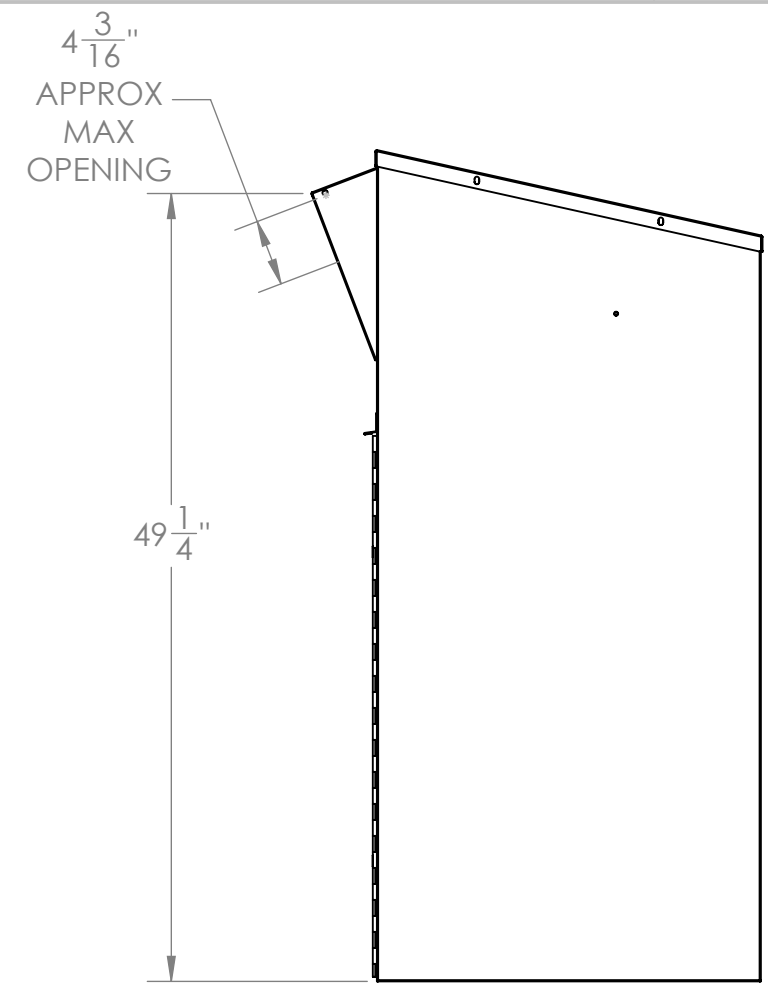
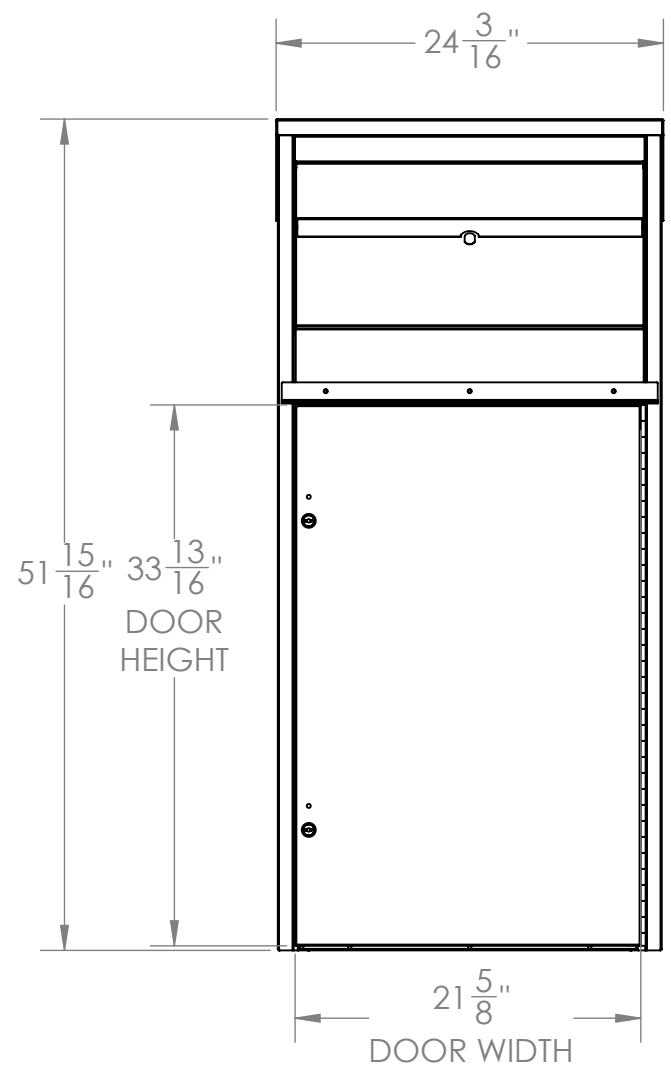


4

3

2

1

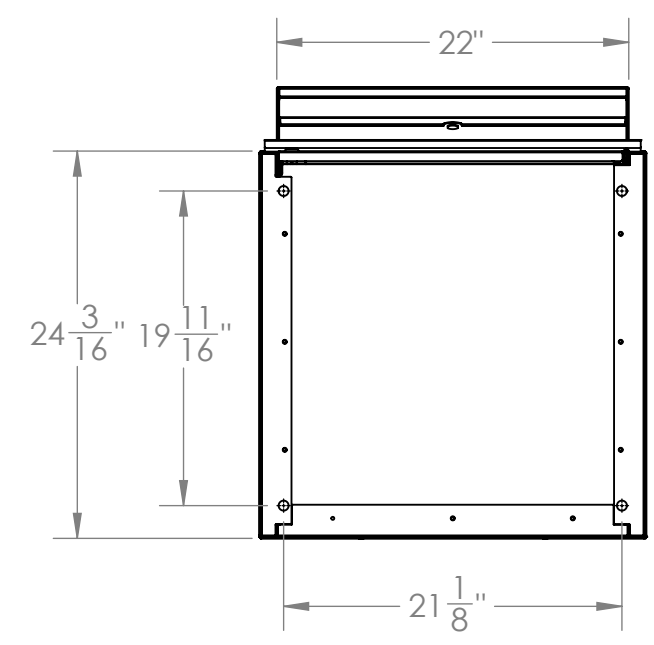


B

B

A

A




4

3

2

1

 <p>1010 SUMIT AVE N SAUK RAPIDS, MN 56379</p> <p>Sales: (866) 269-4955 Support: (877) 350-0693</p>	<p><b>UNLESS OTHERWISE SPECIFIED</b> DIMENSIONS ARE IN INCHES TOLERANCES: FRACTIONAL <math>\pm 1/8</math>" ANGULAR: MACH <math>\pm .5^\circ</math> BEND <math>\pm 1^\circ</math> ONE PLACE DECIMAL <math>\pm .1</math> TWO PLACE DECIMAL <math>\pm .03</math> THREE PLACE DECIMAL <math>\pm .015</math></p>	<p>PRODUCT DESCRIPTION:</p> <p><b>M810-OHC ONE HAND CHUTE CUT SHEET</b></p>
	<p><b>PROPRIETARY AND CONFIDENTIAL</b> THE INFORMATION CONTAINED IN THIS DRAWING IS THE SOLE PROPERTY OF AMERICAN SECURITY CABINETS INC. ANY REPRODUCTION IN PART OR AS A WHOLE WITHOUT THE WRITTEN PERMISSION OF AMERICAN SECURITY CABINETS INC. IS PROHIBITED.</p>	<p><b>DO NOT SCALE DRAWING</b></p>