

4

3

2

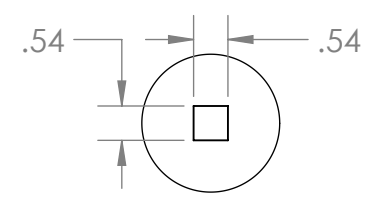
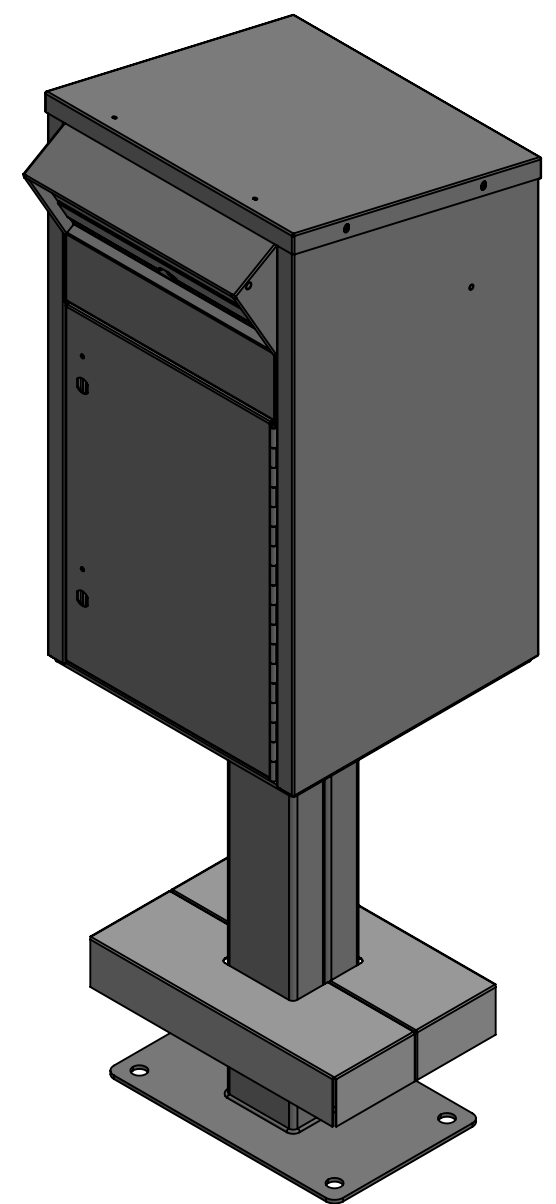
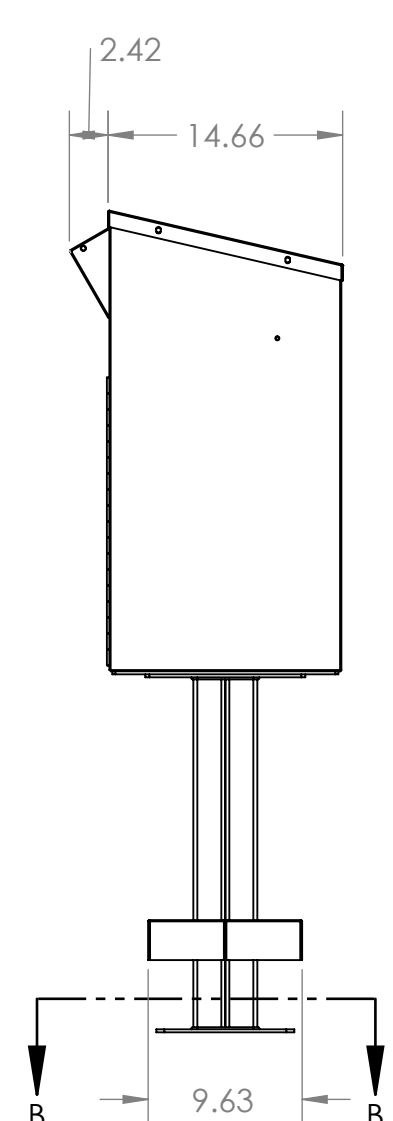
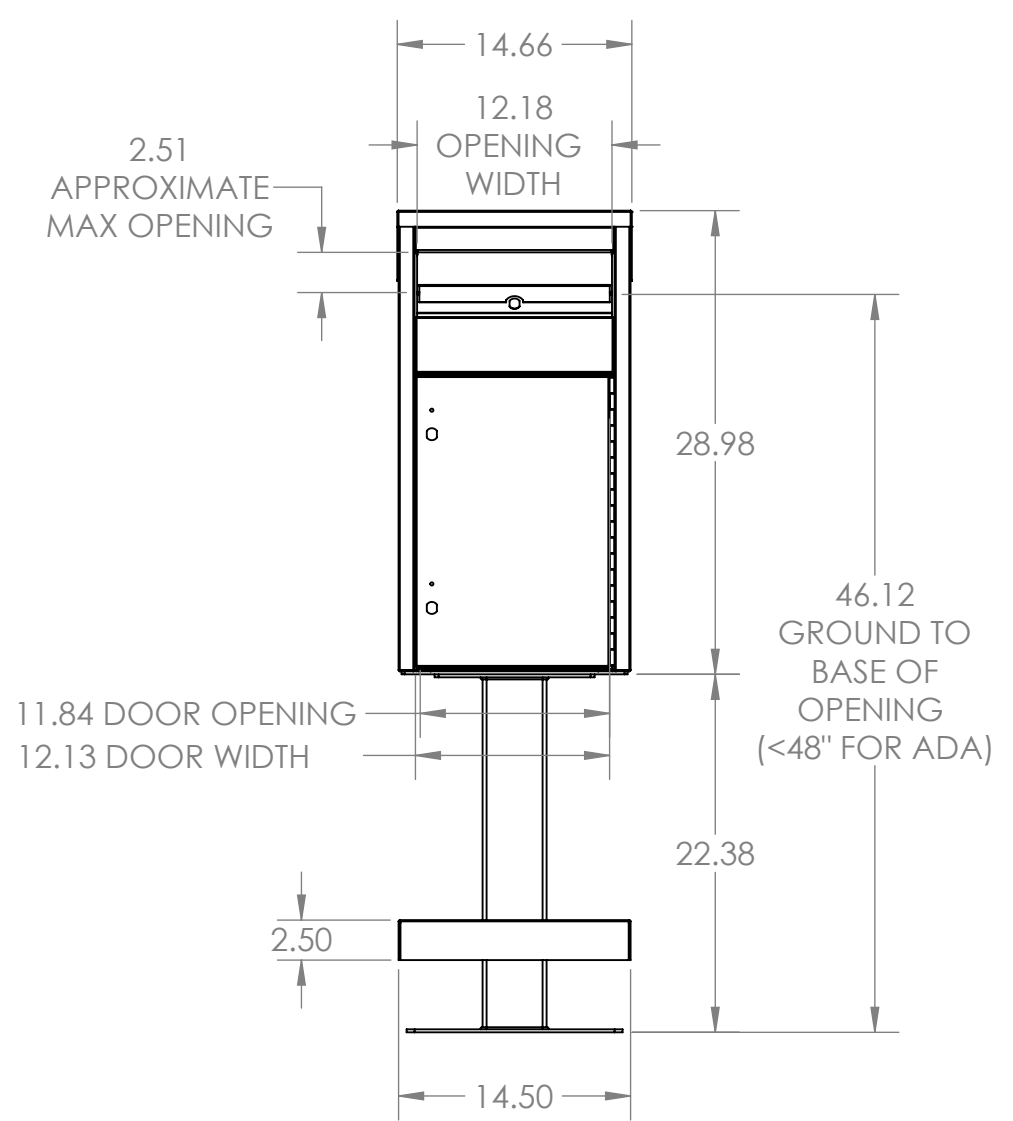
1

B

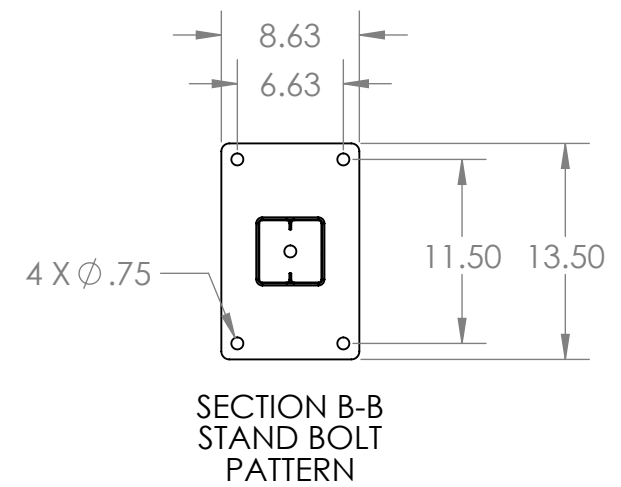
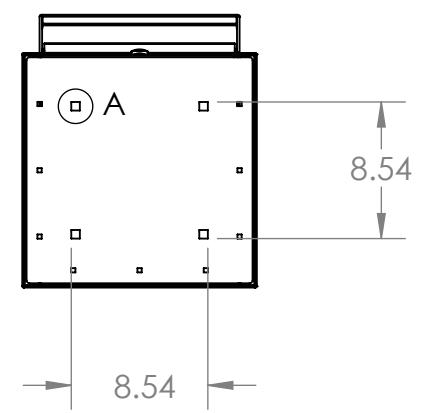
B

A

A



DETAIL A
SCALE 1 : 3
QTY 4



1010 SUMIT AVE N
SAUK RAPIDS, MN 56379
Sales: (866) 269-4955
Support: (877) 350-0693

UNLESS OTHERWISE SPECIFIED
DIMENSIONS ARE IN INCHES
TOLERANCES:
FRACTIONAL ± 1/8"
ANGULAR: MACH ± .5° BEND ± 1°
ONE PLACE DECIMAL ± .1
TWO PLACE DECIMAL ± .03
THREE PLACE DECIMAL ± .015

PROPRIETARY AND CONFIDENTIAL
THE INFORMATION CONTAINED IN THIS DRAWING IS THE SOLE PROPERTY OF AMERICAN SECURITY CABINETS INC. ANY REPRODUCTION IN PART OR AS A WHOLE WITHOUT THE WRITTEN PERMISSION OF AMERICAN SECURITY CABINETS INC. IS PROHIBITED.

PRODUCT DESCRIPTION:
M610 CUT SHEET WITH STAND

DO NOT SCALE DRAWING Updated: 2024 SCALE: 1:12 SHEET 1 OF 1

4

3

2

1