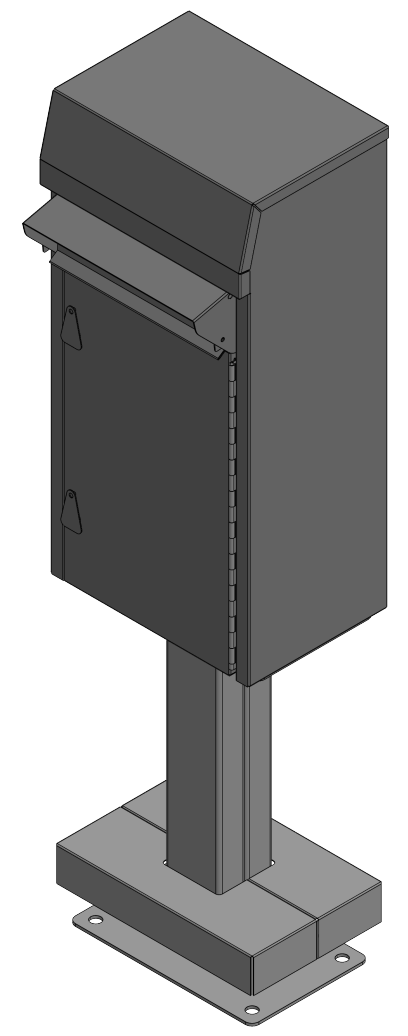
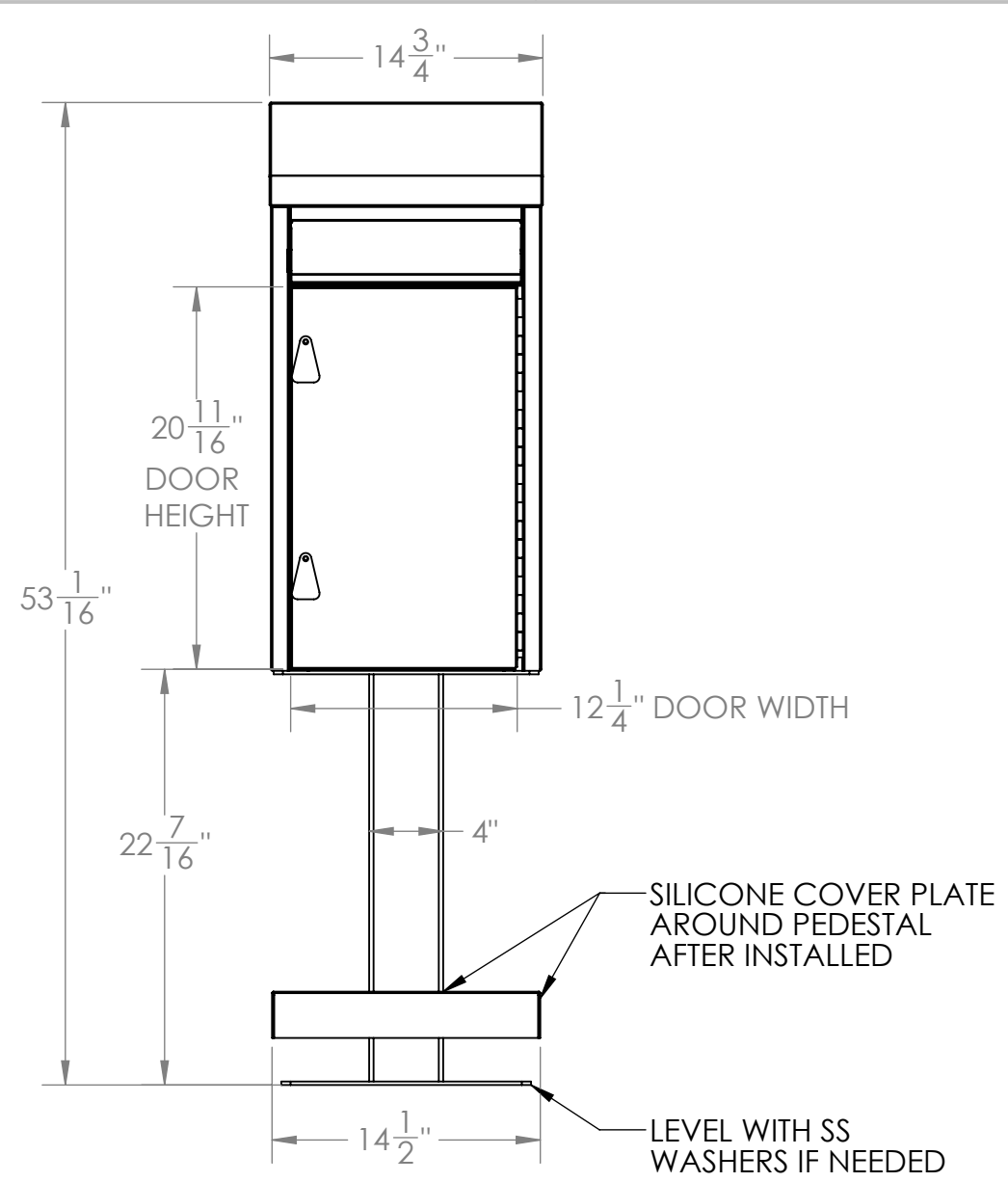
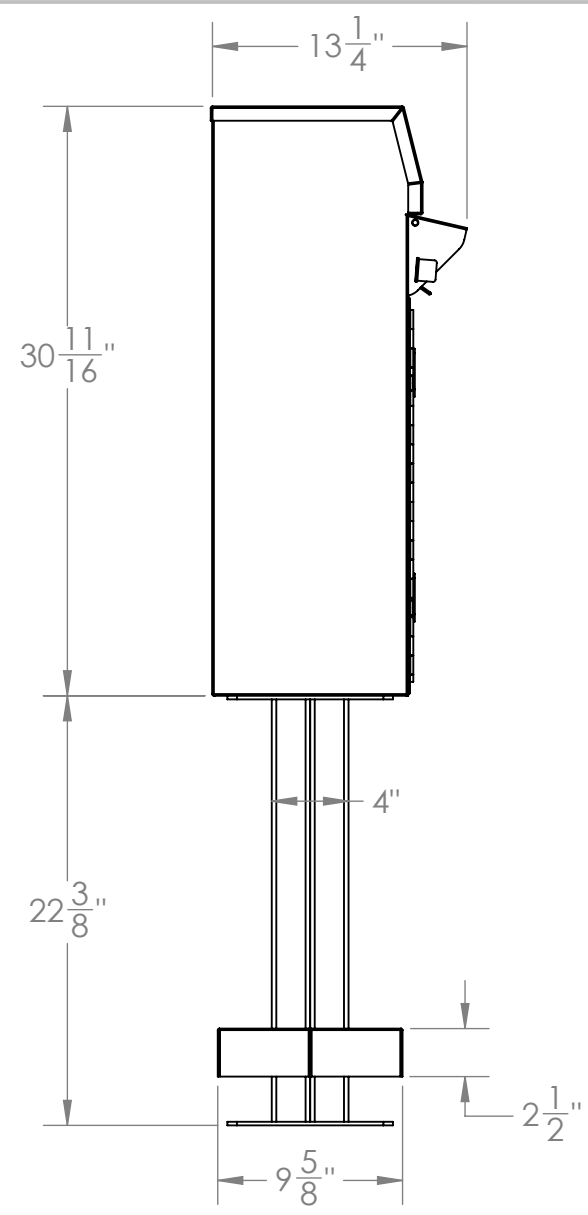


4 3 2 1

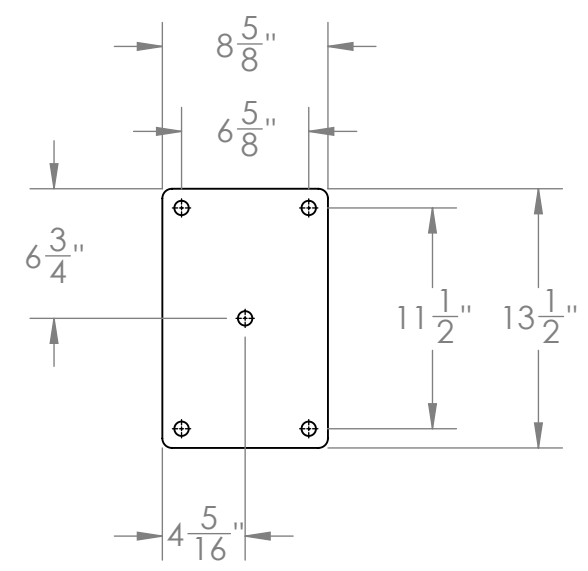
B

B



A

A



4 3 2 1

American Security Cabinets

1010 SUMIT AVE N
SAUK RAPIDS, MN 56379

Sales: (866) 269-4955
Support: (877) 350-0693

UNLESS OTHERWISE SPECIFIED
DIMENSIONS ARE IN INCHES
TOLERANCES:
FRACTIONAL ± 1/8"
ANGULAR: MACH ± .5° BEND ± 1°
ONE PLACE DECIMAL ± .1
TWO PLACE DECIMAL ± .03
THREE PLACE DECIMAL ± .015

PROPRIETARY AND CONFIDENTIAL
THE INFORMATION CONTAINED IN THIS DRAWING IS THE SOLE PROPERTY OF AMERICAN SECURITY CABINETS INC. ANY REPRODUCTION IN PART OR AS A WHOLE WITHOUT THE WRITTEN PERMISSION OF AMERICAN SECURITY CABINETS INC. IS PROHIBITED.

PRODUCT DESCRIPTION:

M450 ON CONCRETE CUT SHEET

Updated: 2024 SCALE: 1:10 SHEET 1 OF 1

DO NOT SCALE DRAWING