

4

3

2

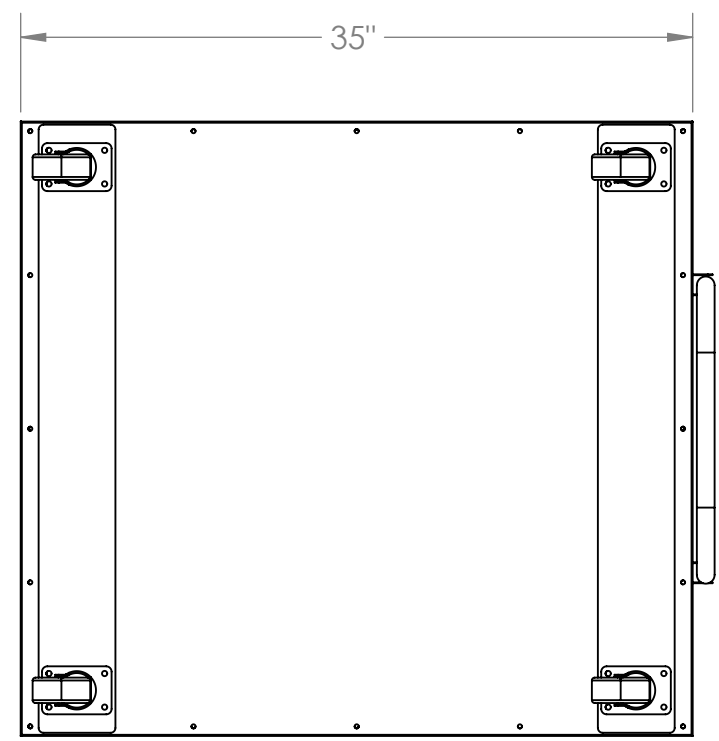
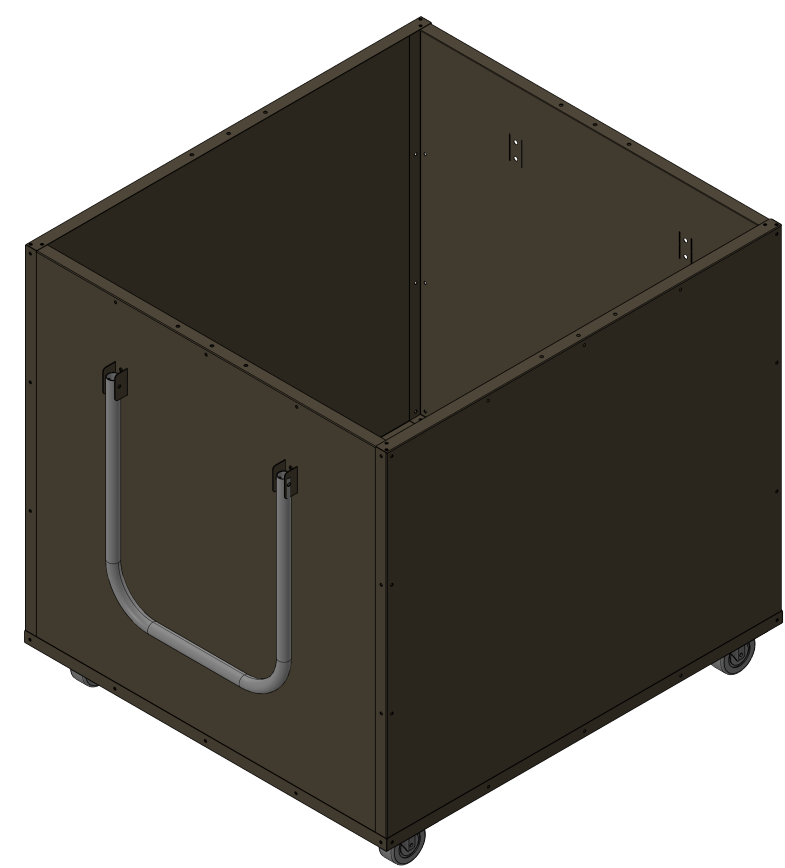
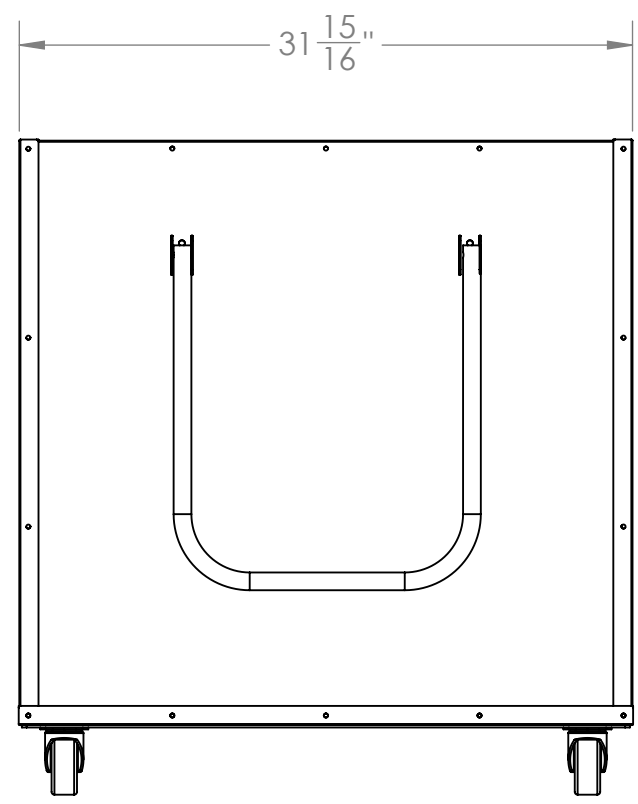
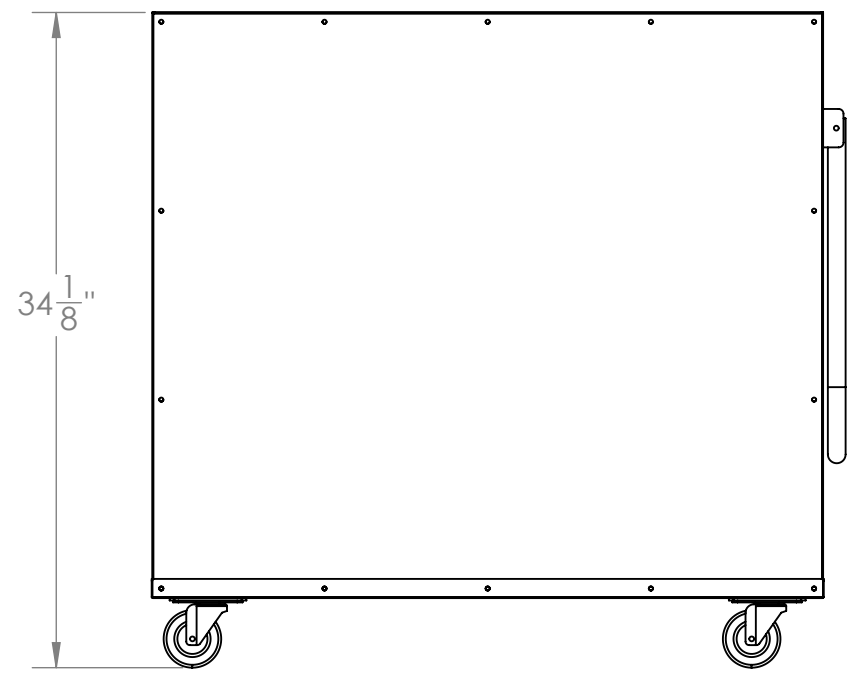
1

B

B

A

A




4

3

2

1

|  |  |  |                      |
|--|--|--|----------------------|
|  <p>1010 SUMIT AVE N<br/>SAUK RAPIDS, MN 56379</p> <p>Sales: (866) 269-4955<br/>Support: (877) 350-0693</p> | <p><b>UNLESS OTHERWISE SPECIFIED</b><br/>DIMENSIONS ARE IN INCHES<br/>TOLERANCES:<br/>FRACTIONAL ± 1/8"<br/>ANGULAR: MACH ± .5° BEND ± 1°<br/>ONE PLACE DECIMAL ± .1<br/>TWO PLACE DECIMAL ± .03<br/>THREE PLACE DECIMAL ± .015</p>                                      | <p>PRODUCT DESCRIPTION:</p> <p><b>M1010 BOOK TRUCK CUT SHEET</b></p> |                      |
|  | <p><b>PROPRIETARY AND CONFIDENTIAL</b><br/>THE INFORMATION CONTAINED IN THIS DRAWING IS THE SOLE PROPERTY OF AMERICAN SECURITY CABINETS INC. ANY REPRODUCTION IN PART OR AS A WHOLE WITHOUT THE WRITTEN PERMISSION OF AMERICAN SECURITY CABINETS INC. IS PROHIBITED.</p> | <p><b>DO NOT SCALE DRAWING</b></p>                                   | <p>Updated: 2024</p> |

SHEET 1 OF 1