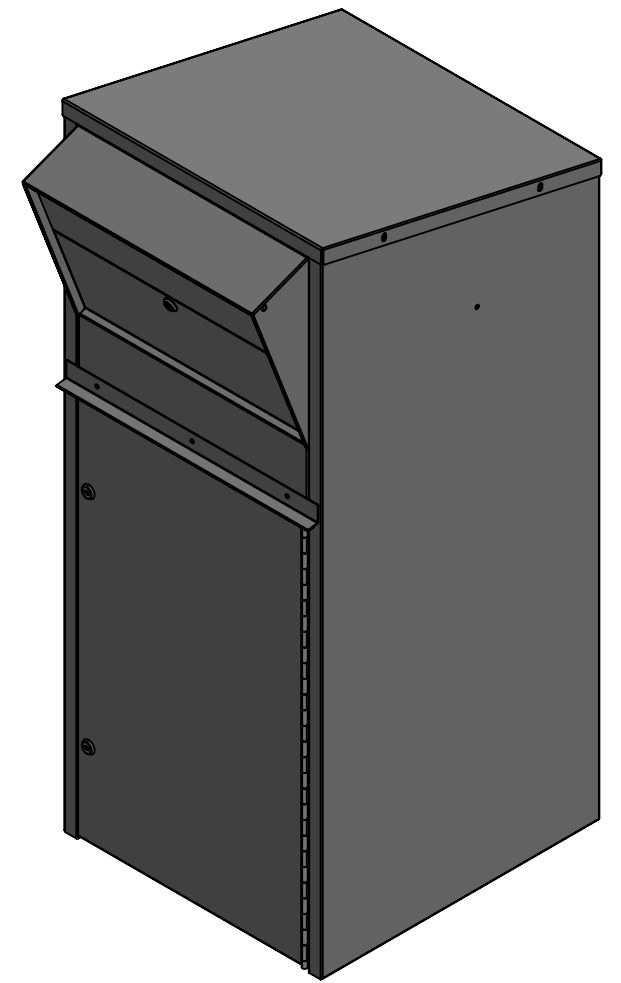
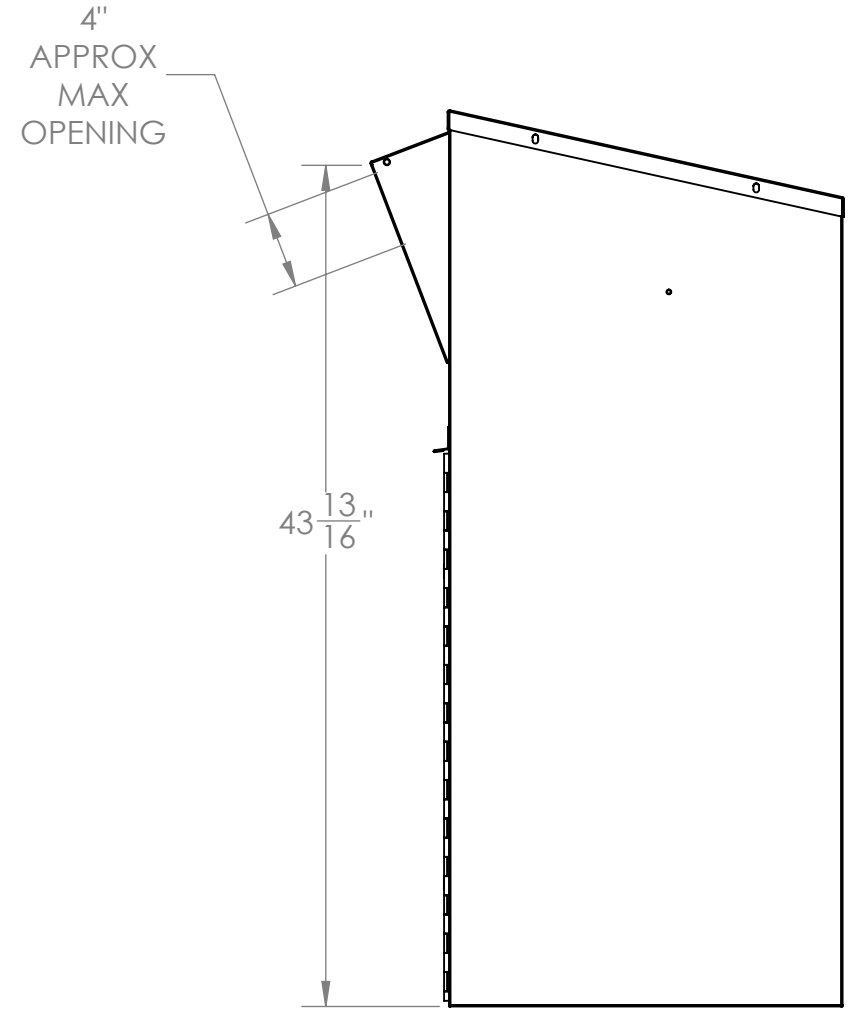
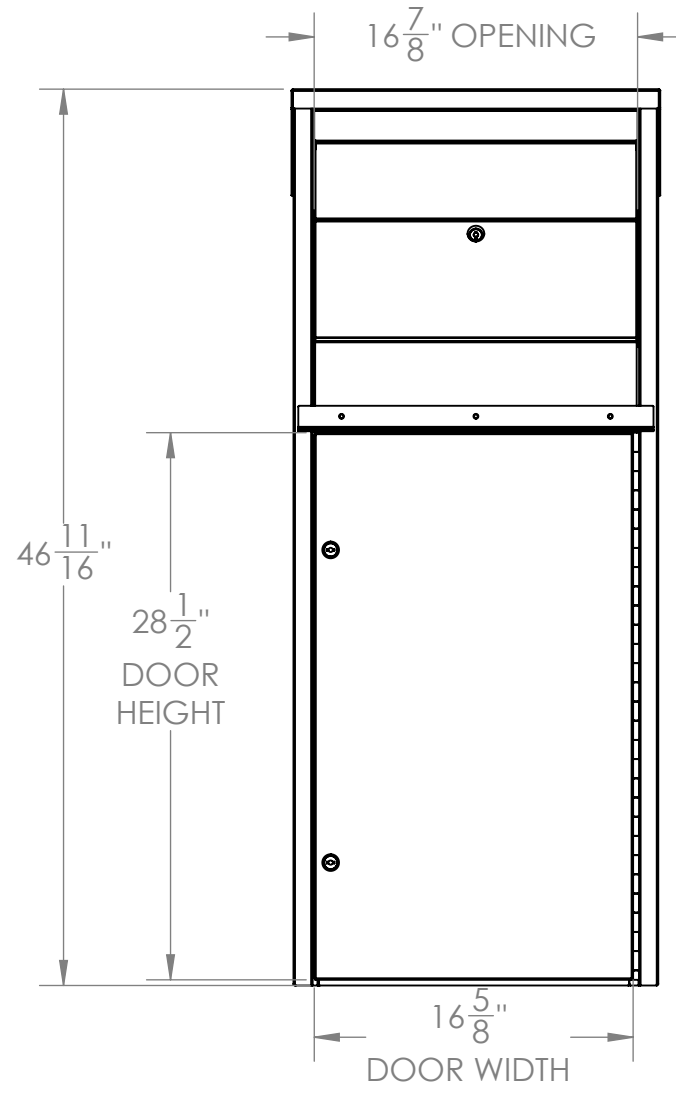


4

3

2

1

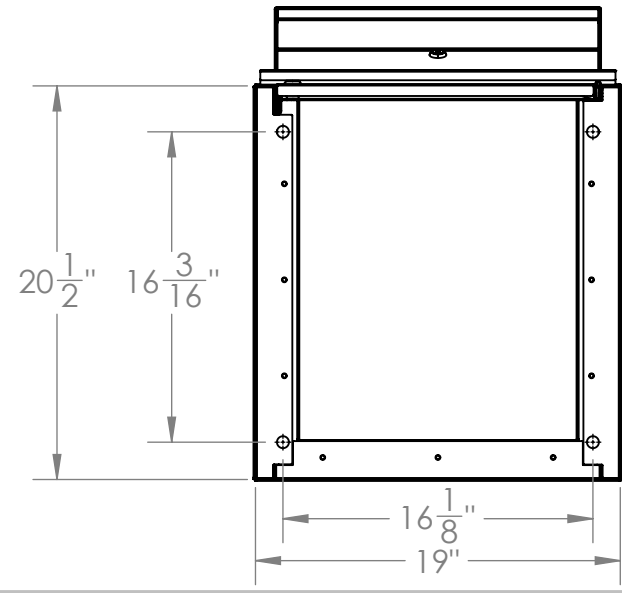


B

B

A

A




4

3

2

1

 <p>1010 SUMIT AVE N SAUK RAPIDS, MN 56379</p> <p>Sales: (866) 269-4955 Support: (877) 350-0693</p>	<p>UNLESS OTHERWISE SPECIFIED DIMENSIONS ARE IN INCHES TOLERANCES: FRACTIONAL ± 1/8" ANGULAR: MACH ± .5° BEND ± 1° ONE PLACE DECIMAL ± .1 TWO PLACE DECIMAL ± .03 THREE PLACE DECIMAL ± .015</p>	<p>PRODUCT DESCRIPTION:</p> <p>710-OHC ONE HAND CHUTE CUT SHEET</p>
	<p>PROPRIETARY AND CONFIDENTIAL THE INFORMATION CONTAINED IN THIS DRAWING IS THE SOLE PROPERTY OF AMERICAN SECURITY CABINETS INC. ANY REPRODUCTION IN PART OR AS A WHOLE WITHOUT THE WRITTEN PERMISSION OF AMERICAN SECURITY CABINETS INC. IS PROHIBITED.</p>	<p>Updated: 2024</p>
<p>DO NOT SCALE DRAWING</p>		<p>SHEET 1 OF 1</p>