

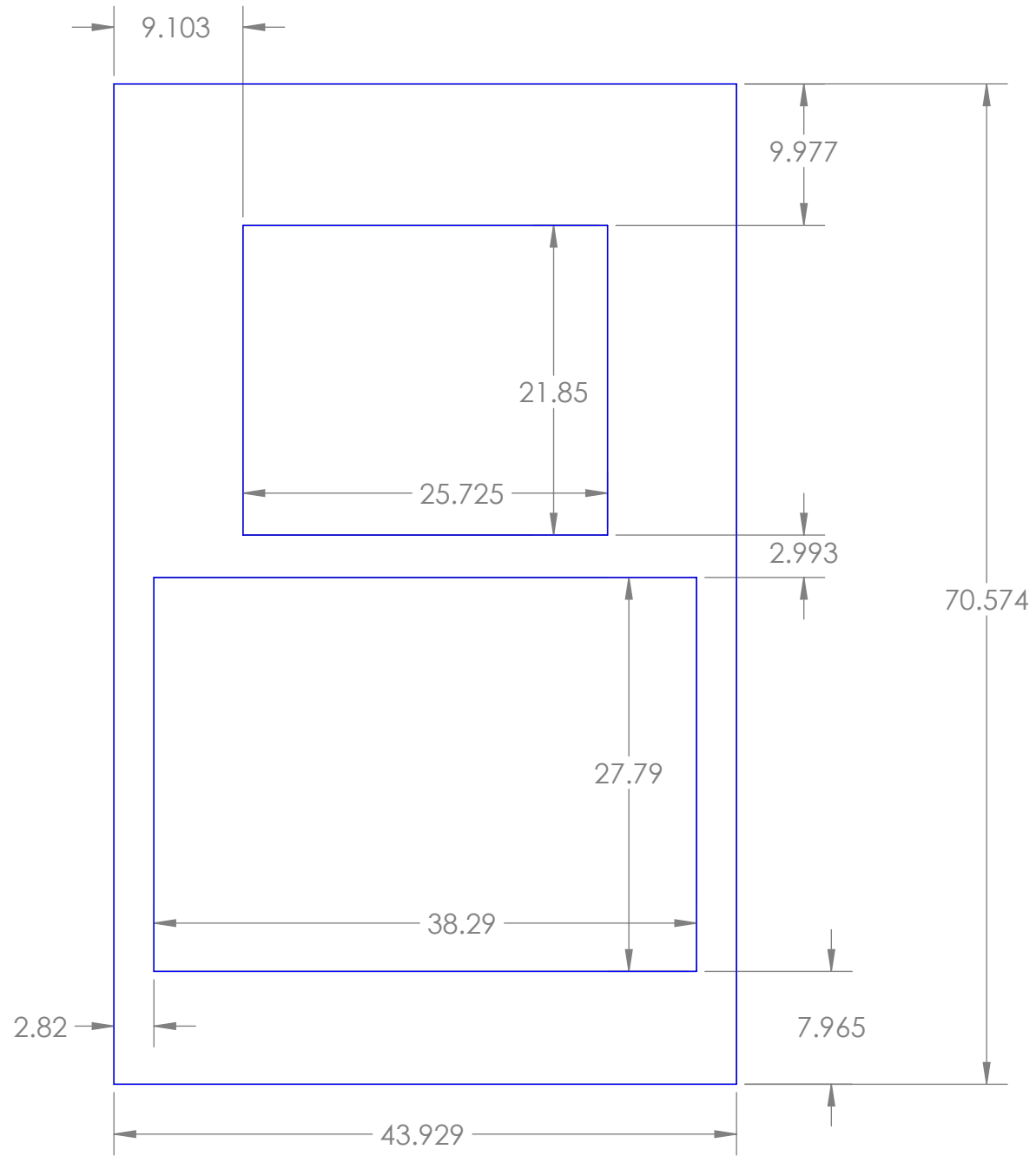
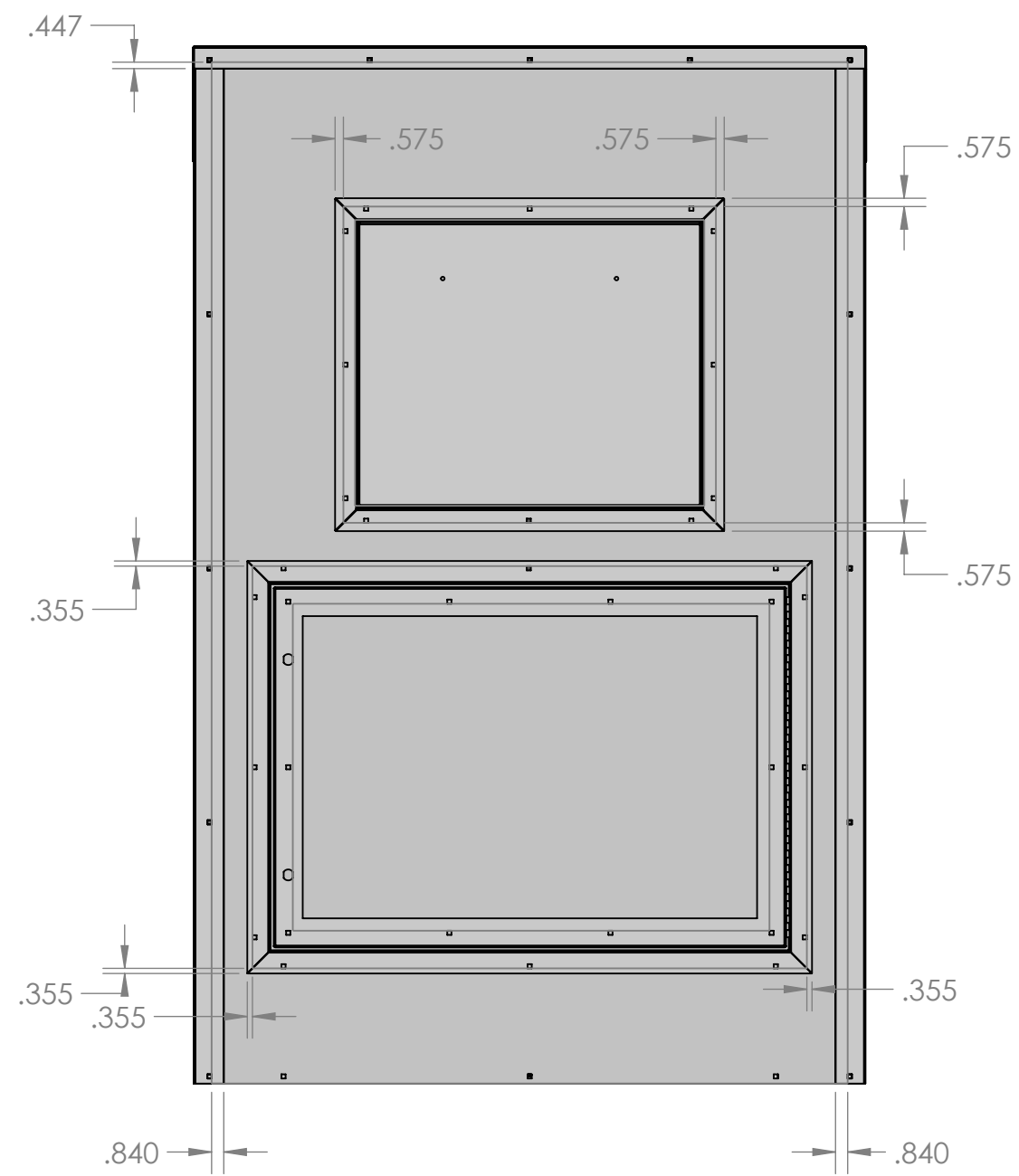
4

3

2

1

Actual Front Panel Graphics Dimensions



- Dimensions are showing how much the frame overlaps the front panel.
- Graphics run to the edge of bolt holes on each side.
- Graphics run all the way to the bottom.

AMERICAN SECURITY CABINETS 1010 SUMIT AVE N SAUK RAPIDS, MN 56379	UNLESS OTHERWISE SPECIFIED: DIMENSIONS ARE IN INCHES TOLERANCES: FRACTIONAL ± 1/8" ANGULAR: MACH ± .5° BEND ± 1° ONE PLACE DECIMAL ± .1 TWO PLACE DECIMAL ± .03 THREE PLACE DECIMAL ± .015	DESCRIPTION: <h2 style="text-align: center;">Front View/ Dimensions</h2>	
	PROPRIETARY AND CONFIDENTIAL THE INFORMATION CONTAINED IN THIS DRAWING IS THE SOLE PROPERTY OF AMERICAN SECURITY CABINETS INC. ANY REPRODUCTION IN PART OR AS A WHOLE WITHOUT THE WRITTEN PERMISSION OF AMERICAN SECURITY CABINETS INC. IS PROHIBITED.	MATERIAL: FINISH:	PART NO. <h3 style="text-align: center;">ACM-DB</h3>
DRAWN BY: ETJ	DO NOT SCALE DRAWING	DATE	SCALE: 1:24 SHEET 1 OF 6

4

3

2

1

4

3

2

1

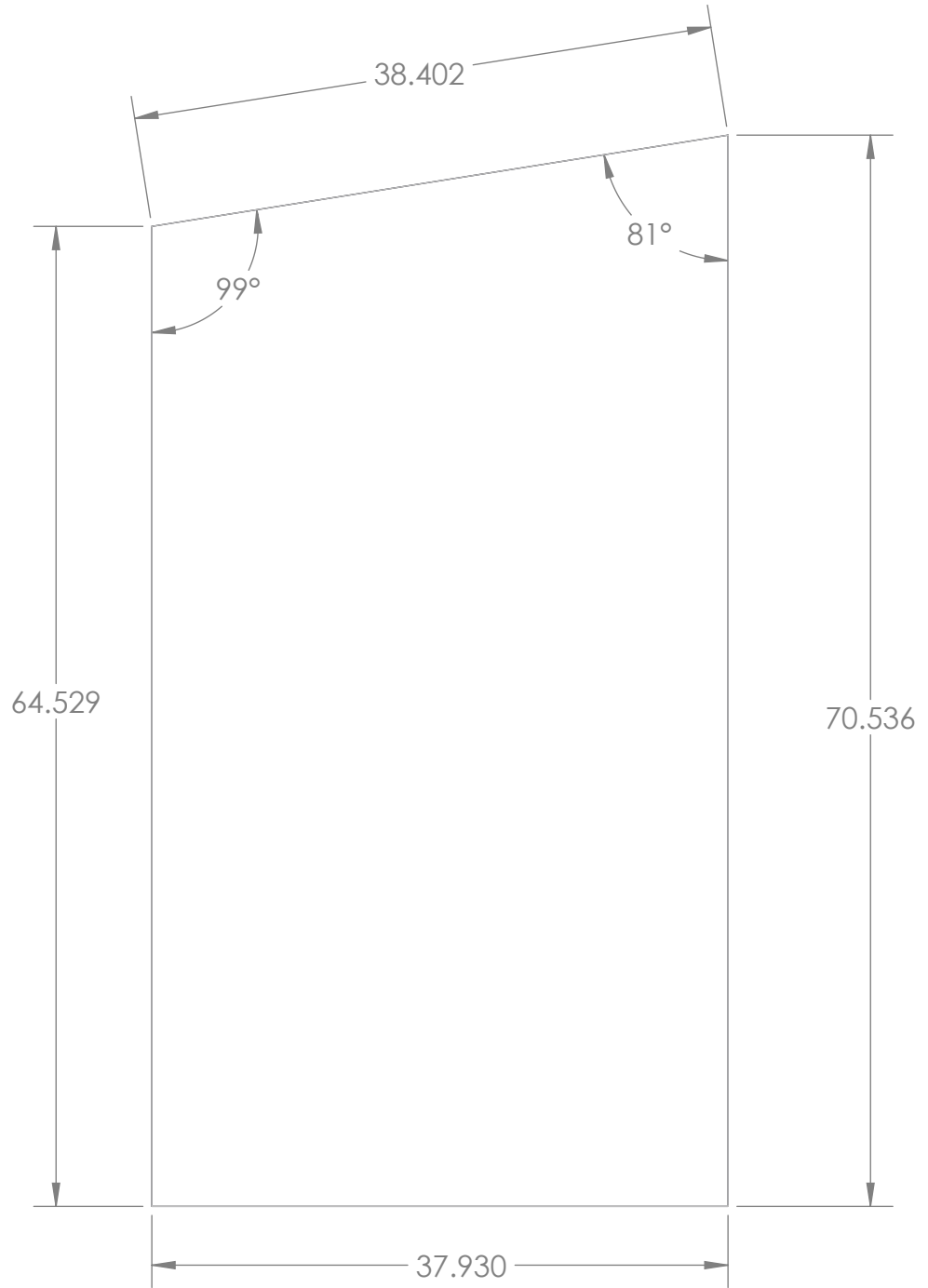
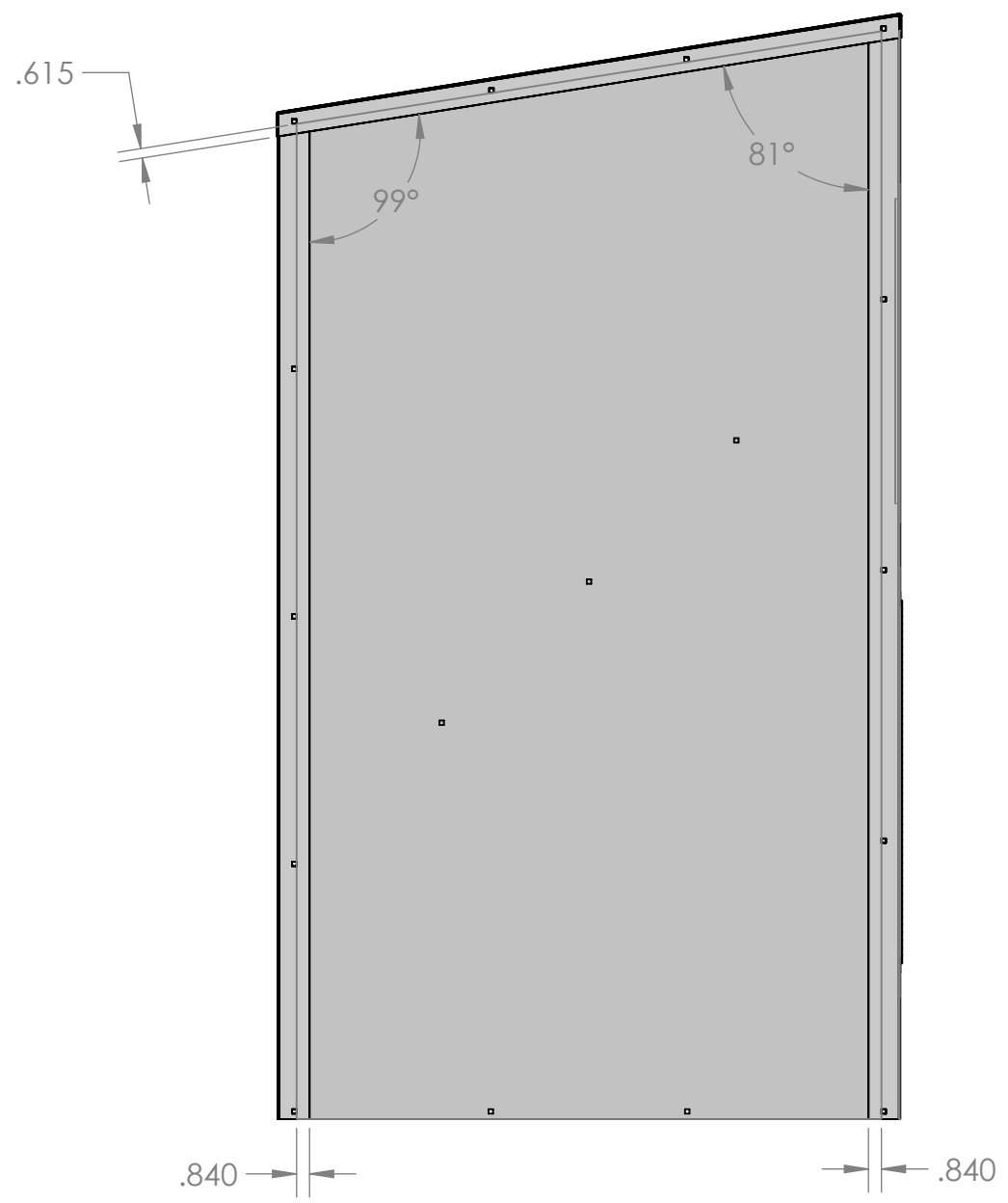
Actual Left Panel Graphics Dimensions

B

B

A

A



- Dimensions are showing how much the frame overlaps the left panel.
- Graphics run to the edge of bolt holes on each side.
- Graphics run all the way to the bottom.

AMERICAN SECURITY CABINETS 1010 SUMIT AVE N SAUK RAPIDS, MN 56379	UNLESS OTHERWISE SPECIFIED: DIMENSIONS ARE IN INCHES TOLERANCES: FRACTIONAL ± 1/8" ANGULAR: MACH ± .5° BEND ± 1° ONE PLACE DECIMAL ± .1 TWO PLACE DECIMAL ± .03 THREE PLACE DECIMAL ± .015	DESCRIPTION: <h3>Left View/ Dimensions</h3>	
	PROPRIETARY AND CONFIDENTIAL THE INFORMATION CONTAINED IN THIS DRAWING IS THE SOLE PROPERTY OF AMERICAN SECURITY CABINETS INC. ANY REPRODUCTION IN PART OR AS A WHOLE WITHOUT THE WRITTEN PERMISSION OF AMERICAN SECURITY CABINETS INC. IS PROHIBITED.	MATERIAL FINISH	PART NO. <h3>ACM-DB</h3>
DRAWN BY: ETJ	DO NOT SCALE DRAWING	DATE	SCALE: 1:24 SHEET 2 OF 6

4

3

2

1

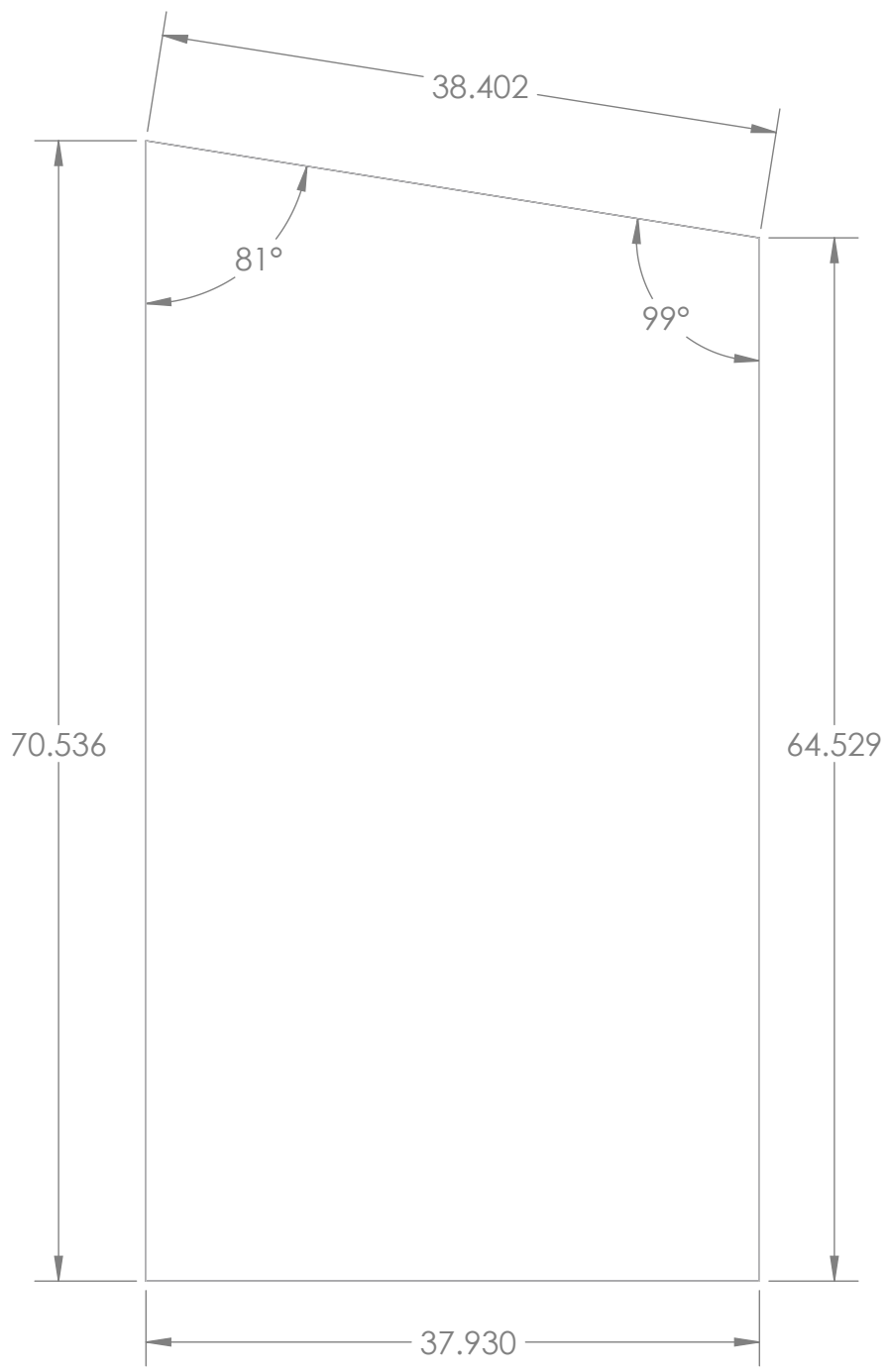
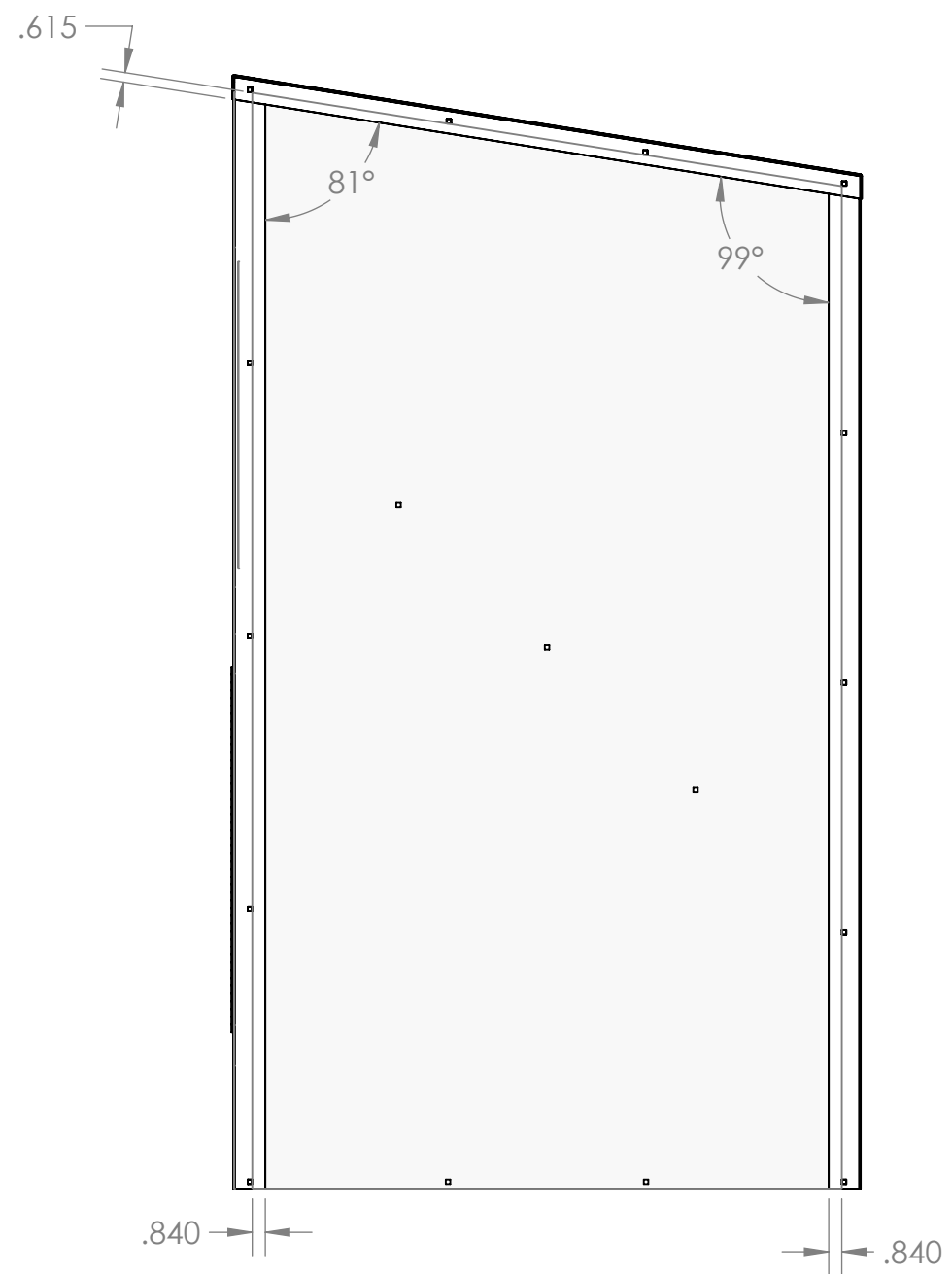
4

3

2

1

Actual Right Panel Graphics Dimensions



- Dimensions are showing how much the frame overlaps the right panel.
- Graphics run to the edge of bolt holes on each side.
- Graphics run all the way to the bottom.

AMERICAN SECURITY CABINETS 1010 SUMIT AVE N SAUK RAPIDS, MN 56379	UNLESS OTHERWISE SPECIFIED: DIMENSIONS ARE IN INCHES TOLERANCES: FRACTIONAL ± 1/8" ANGULAR: MACH ± .5° BEND ± 1° ONE PLACE DECIMAL ± .1 TWO PLACE DECIMAL ± .03 THREE PLACE DECIMAL ± .015	DESCRIPTION: <h2 style="text-align: center;">Right View/ Dimensions</h2>	
	PROPRIETARY AND CONFIDENTIAL THE INFORMATION CONTAINED IN THIS DRAWING IS THE SOLE PROPERTY OF AMERICAN SECURITY CABINETS INC. ANY REPRODUCTION IN PART OR AS A WHOLE WITHOUT THE WRITTEN PERMISSION OF AMERICAN SECURITY CABINETS INC. IS PROHIBITED.	MATERIAL FINISH	PART NO. <h3 style="text-align: center;">ACM-DB</h3>
DRAWN BY: ETJ	DO NOT SCALE DRAWING	DATE	SCALE: 1:24 SHEET 3 OF 6

4

3

2

1

B

B

A

A

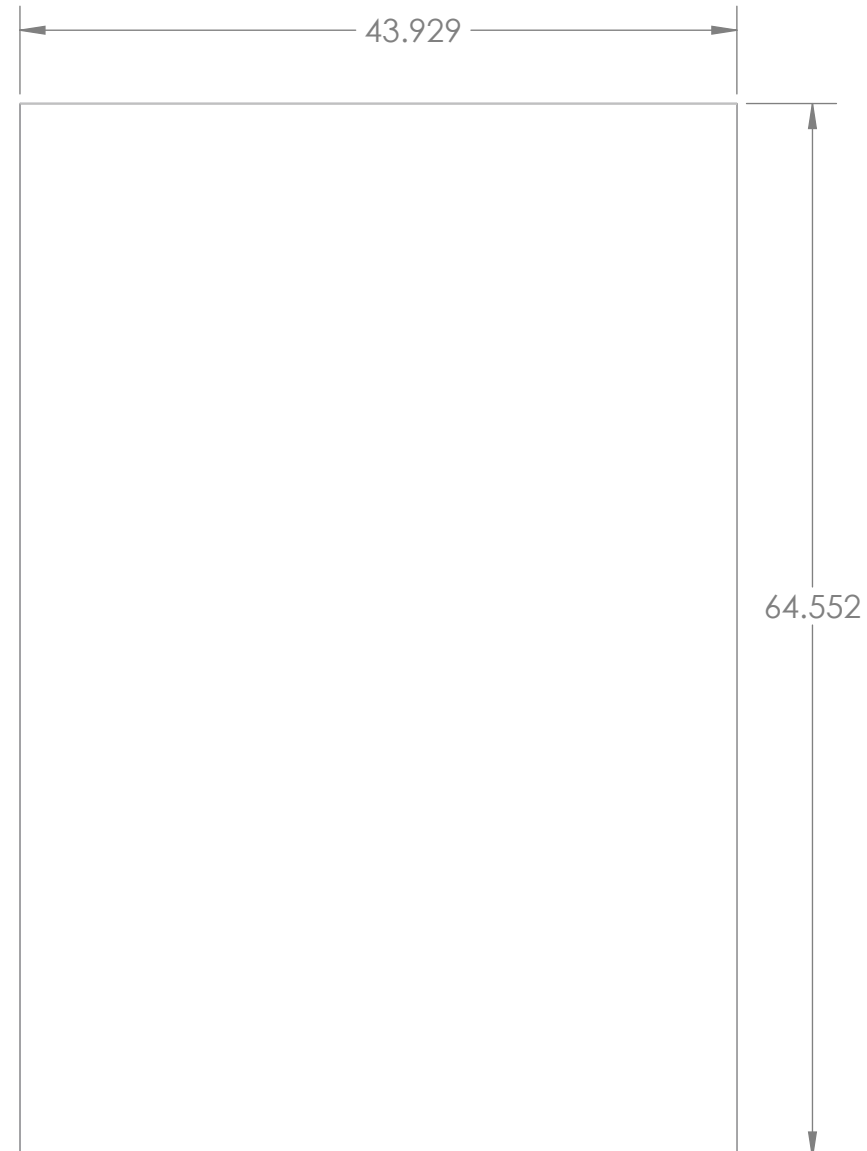
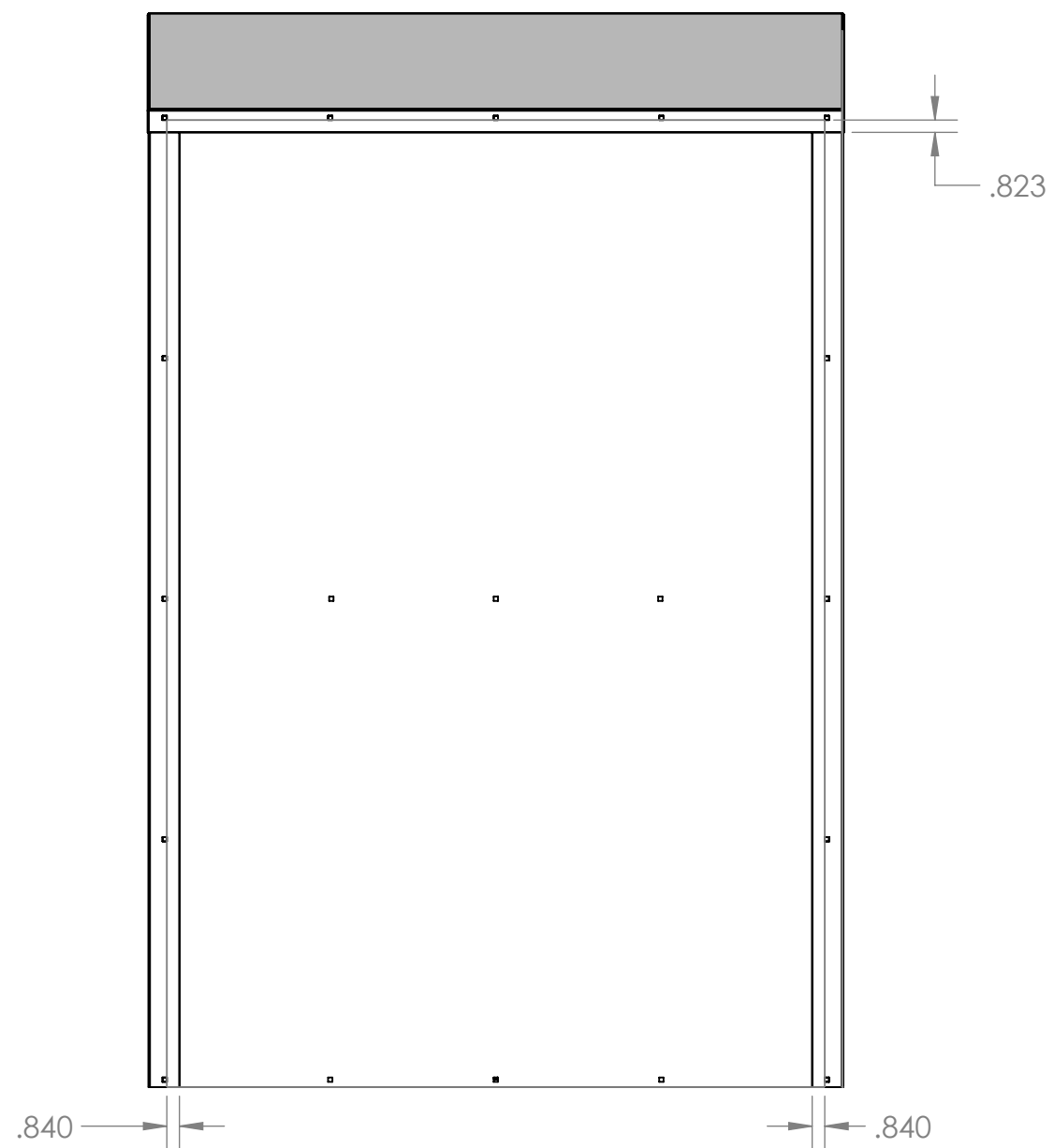
4

3

2

1

Actual Back Panel Graphics Dimensions



- Dimensions are showing how much the frame overlaps the Back panel.
- Graphics run to the edge of bolt holes on each side.
- Graphics run all the way to the bottom.

AMERICAN SECURITY CABINETS 1010 SUMIT AVE N SAUK RAPIDS, MN 56379	UNLESS OTHERWISE SPECIFIED: DIMENSIONS ARE IN INCHES TOLERANCES: FRACTIONAL ± 1/8" ANGULAR: MACH ± .5° BEND ± 1° ONE PLACE DECIMAL ± .1 TWO PLACE DECIMAL ± .03 THREE PLACE DECIMAL ± .015	DESCRIPTION: <h2 style="text-align: center;">Back View/ Dimensions</h2>	
	PROPRIETARY AND CONFIDENTIAL THE INFORMATION CONTAINED IN THIS DRAWING IS THE SOLE PROPERTY OF AMERICAN SECURITY CABINETS INC. ANY REPRODUCTION IN PART OR AS A WHOLE WITHOUT THE WRITTEN PERMISSION OF AMERICAN SECURITY CABINETS INC. IS PROHIBITED.	MATERIAL FINISH	PART NO. <h3 style="text-align: center;">ACM-DB</h3>
DRAWN BY: ETJ	DO NOT SCALE DRAWING	DATE	SCALE: 1:24 SHEET 4 OF 6

4

3

2

1

4

3

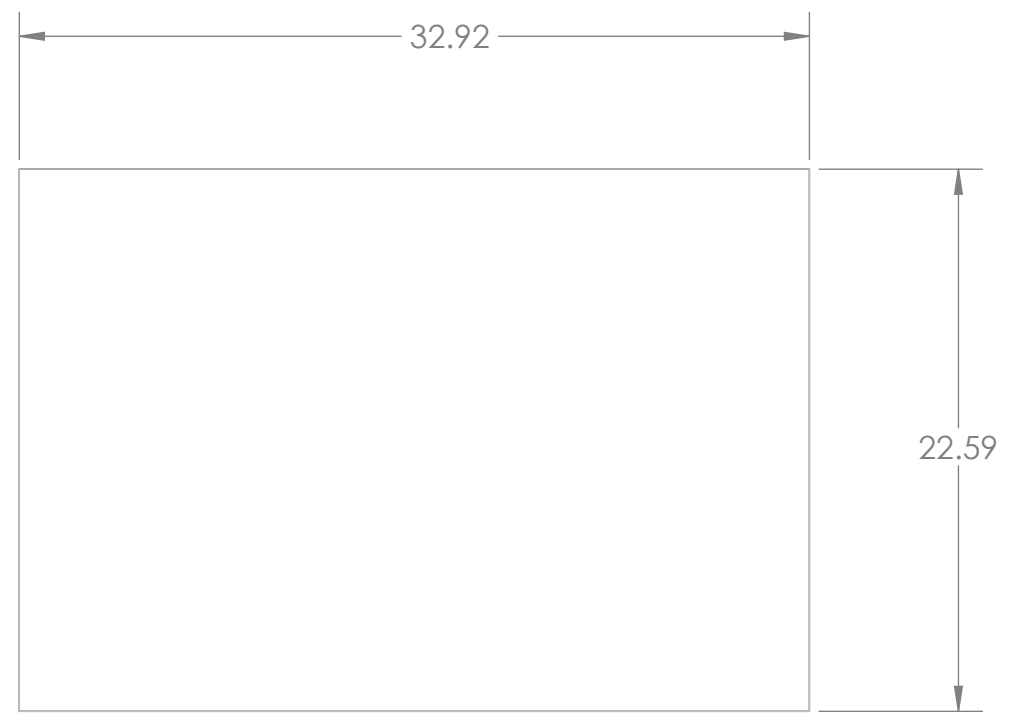
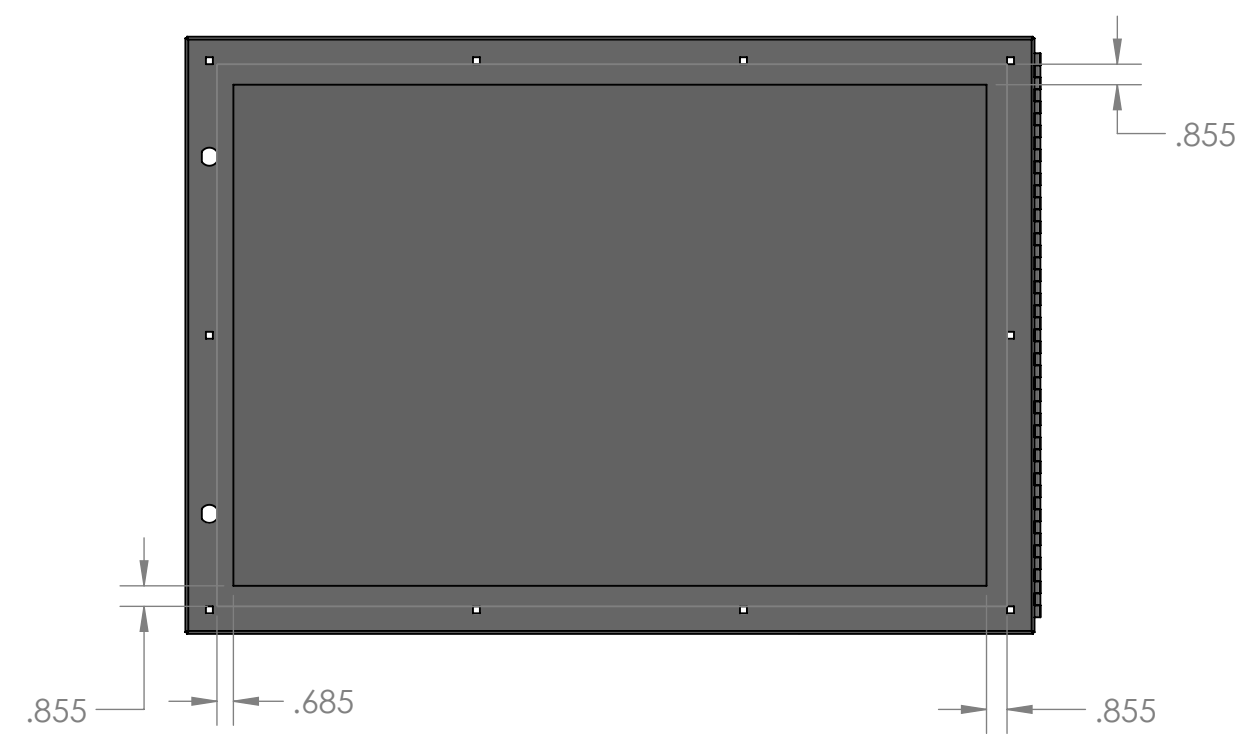
2

1

Actual Door Panel Graphics Dimensions

B

B



A

A

- Dimensions are showing how much the frame overlaps the Door panel.
 - Graphics run to the edge of bolt holes on each side.

AMERICAN SECURITY CABINETS 1010 SUMIT AVE N SAUK RAPIDS, MN 56379	UNLESS OTHERWISE SPECIFIED: DIMENSIONS ARE IN INCHES TOLERANCES: FRACTIONAL ± 1/8" ANGULAR: MACH ± .5° BEND ± 1° ONE PLACE DECIMAL ± .1 TWO PLACE DECIMAL ± .03 THREE PLACE DECIMAL ± .015	DESCRIPTION: <h2 style="text-align: center;">Door View/ Dimensions</h2>	
	PROPRIETARY AND CONFIDENTIAL THE INFORMATION CONTAINED IN THIS DRAWING IS THE SOLE PROPERTY OF AMERICAN SECURITY CABINETS INC. ANY REPRODUCTION IN PART OR AS A WHOLE WITHOUT THE WRITTEN PERMISSION OF AMERICAN SECURITY CABINETS INC. IS PROHIBITED.	MATERIAL FINISH	PART NO. <h3 style="text-align: center;">ACM-DB</h3>
DRAWN BY: ETJ	DO NOT SCALE DRAWING	DATE	SCALE: 1:8 SHEET 5 OF 6

4

3

2

1

4

3

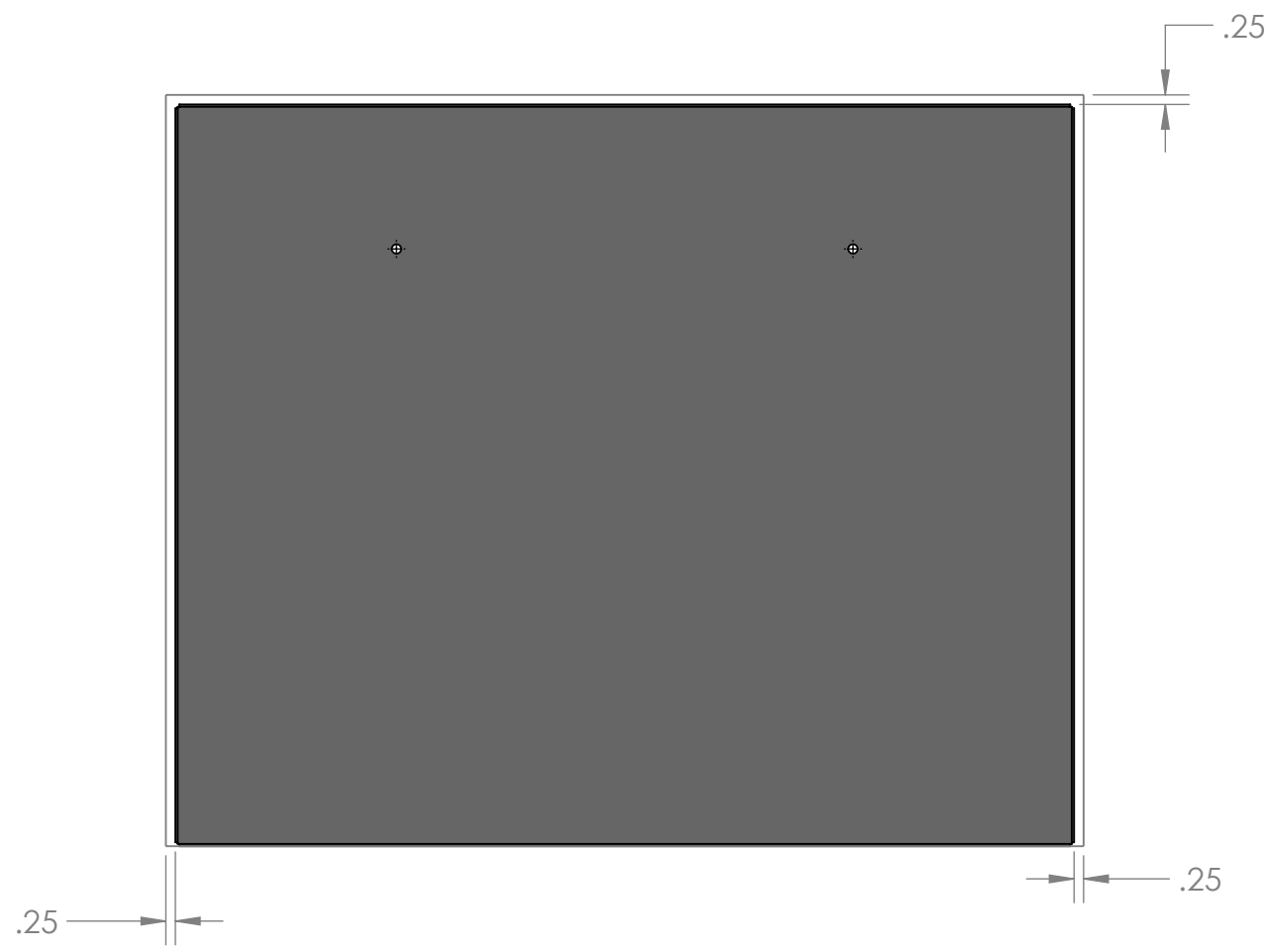
2

1

Actual Hopper Graphics Dimensions

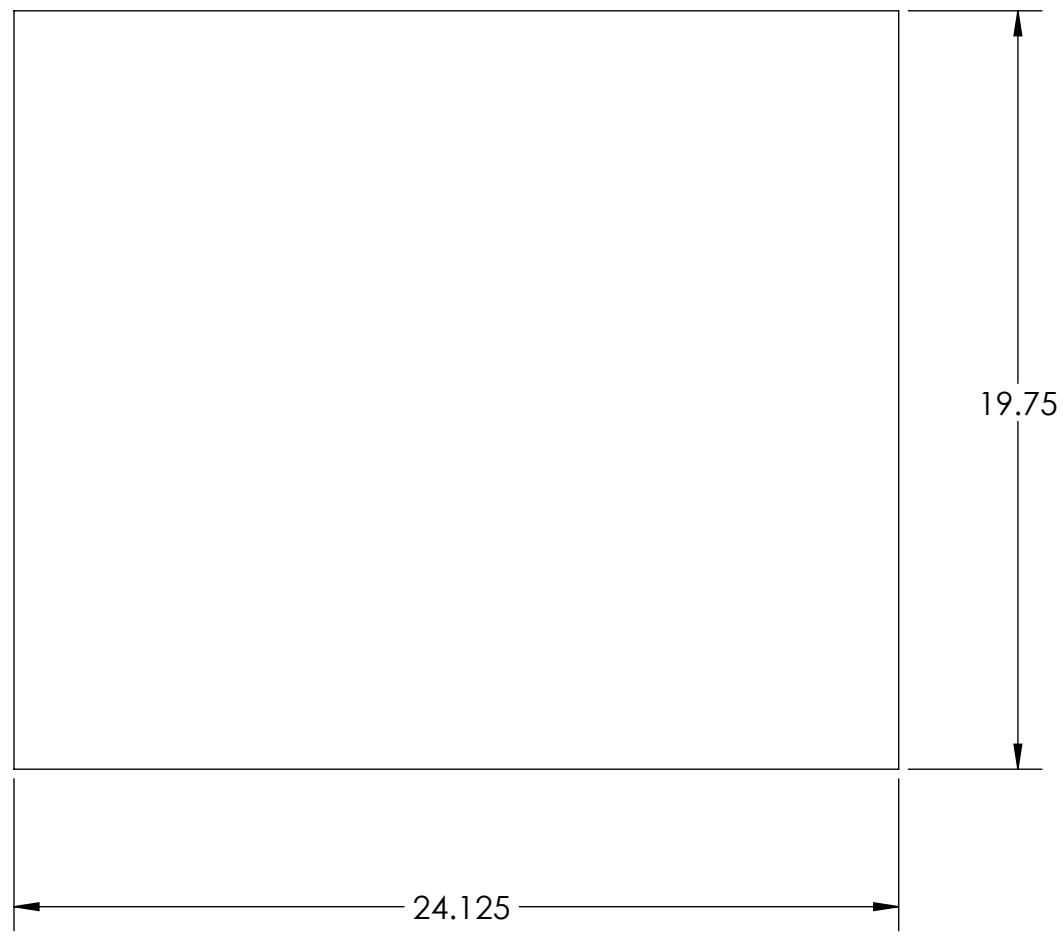
B

A



B

A



- Dimensions are showing how much the graphics should extend over the edge.
 - Graphics flush to the bottom.

AMERICAN SECURITY CABINETS 1010 SUMIT AVE N SAUK RAPIDS, MN 56379	UNLESS OTHERWISE SPECIFIED: DIMENSIONS ARE IN INCHES TOLERANCES: FRACTIONAL ± 1/8" ANGULAR: MACH ± .5° BEND ± 1° ONE PLACE DECIMAL ± .1 TWO PLACE DECIMAL ± .03 THREE PLACE DECIMAL ± .015	DESCRIPTION: <h2 style="text-align: center;">Hopper View/ Dimensions</h2>	
	PROPRIETARY AND CONFIDENTIAL THE INFORMATION CONTAINED IN THIS DRAWING IS THE SOLE PROPERTY OF AMERICAN SECURITY CABINETS INC. ANY REPRODUCTION IN PART OR AS A WHOLE WITHOUT THE WRITTEN PERMISSION OF AMERICAN SECURITY CABINETS INC. IS PROHIBITED.	MATERIAL FINISH	PART NO. <h3 style="text-align: center;">ACM-DB</h3>
DRAWN BY: ETJ	DO NOT SCALE DRAWING	DATE	SCALE: 1:8 SHEET 6 OF 6

4

3

2

1