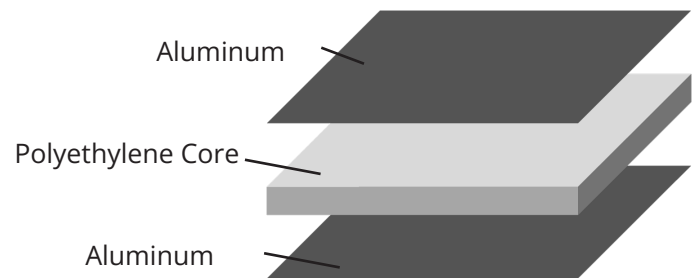




**American  
Security  
Cabinets**

# M710-ACM

Assembly Instructions



## Tools Required

### **Cabinet Assembly:**

7/16" Wrench, Socket Impact,  
Drill/Driver, or Ratchet

### **Installation & Anchoring:**

Hammer Drill  
1/2" Concrete Drill Bit  
Hammer  
3/4" Wrench

*Customizable  
Eco-Friendly Materials*

*Cost-Effective  
3-Year Warranty\**

***Successful assembly may require  
help from an additional party.***



Support: (877) 350-0693  
www.americansecuritycabinets.com

# M710-ACM

## Disclaimers & Warranty

### Disclaimers:

To the maximum extent permitted by applicable law, we exclude all representations, warranties and conditions relating to our products and the use of this product. Nothing in this disclaimer will:

- limit or exclude our or your liability for death or personal injury;
- limit or exclude our or your liability for fraud or fraudulent misrepresentation;
- limit any of our or your liabilities in any way that is not permitted under applicable law; or
- exclude any of our or your liabilities that may not be excluded under applicable law.

The limitations and prohibitions of liability set in this Section and elsewhere in this disclaimer: (a) are subject to the preceding paragraph; and (b) govern all liabilities arising under the disclaimer, including liabilities arising in contract, in tort and for breach of statutory duty.

Prior to commencing the assembly, it is imperative that you thoroughly review and comprehend all provided instructions. Wear appropriate personal protective equipment, including safety glasses and gloves, to safeguard against potential sharp edges or metal burrs during assembly. Select a well-ventilated, clutter-free, and spacious workspace, free of tripping hazards. Utilize only the recommended tools specified in the instructions, ensuring they are in good working order and adhering to the safety guidelines. Exercise caution when dealing with the sharp edges and burrs on aluminum composite material and other metal components. Employ proper lifting techniques and seek assistance from 1-2 individuals if necessary, as some components may be heavy (up to 50 lbs). Ensure the assembly surface is both stable and level. Keep children and pets away from the assembly area and adhere to any chemical safety guidelines if adhesives or sealants are involved. Avoid open flames or heat sources nearby if the materials used are flammable. Familiarize yourself with the location of fire extinguishers, first-aid kits, and emergency exits. Dispose of packaging materials in accordance with local recycling and waste disposal regulations.

After assembly, use the drop box as intended and refrain from overloading it or using it for purposes other than its designed function. Regularly inspect the drop box for loose components, damage, or wear, and conduct routine maintenance for continued safe and efficient operation. Should you have any queries, concerns, or encounter issues during assembly, contact our customer support team for assistance.

### Warranty:

Each American Security Cabinets product is made in the U.S.A. with high-quality, locally sourced materials.

Our brushed stainless steel drop boxes, security cabinets, kiosks and depositories are warranted\* against rust-through corrosion for life!

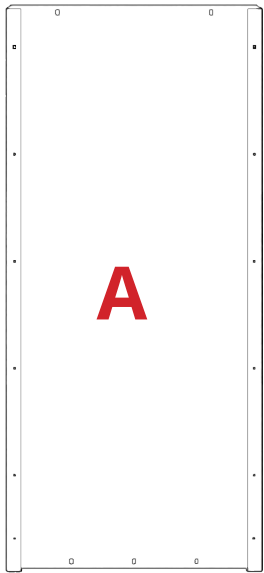
\*Terms and Conditions: Stainless steel parts and assemblies have a lifetime warranty against material rust through (powder coating and aluminum composite material not included.) Non-stainless assemblies have a three-year warranty against normal wear and tear. Shipping and installation not included. All prices shown and payments made in U.S. funds only.

Should you have any queries or concerns relating to your product's warranty, contact our customer support team for assistance.

# M710-ACM

## Assembly Instructions

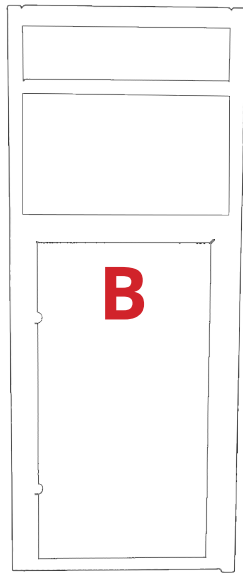
### What's Included:



**A**

**1x**

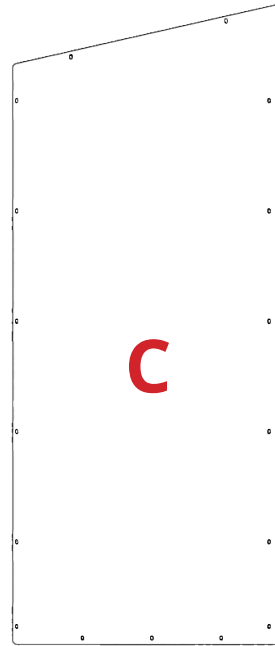
Back Panel  
with corner supports



**B**

**1x**

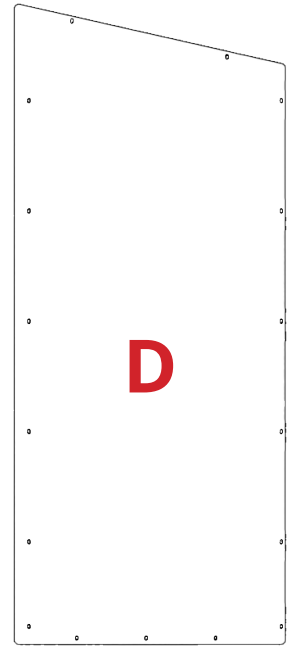
Front Panel



**C**

**1x**

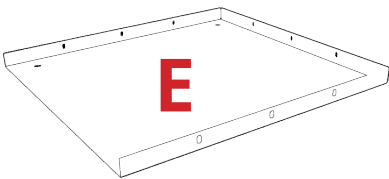
Left Panel



**D**

**1x**

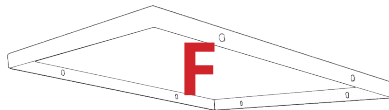
Right Panel



**E**

**1x**

Floor Plate



**F**

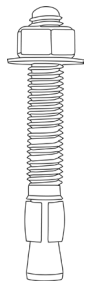
**1x**

Top Plate



**39x**

1/4" Carriage  
Bolts with Nuts



**4x**

Wedge Anchors

# M710-ACM

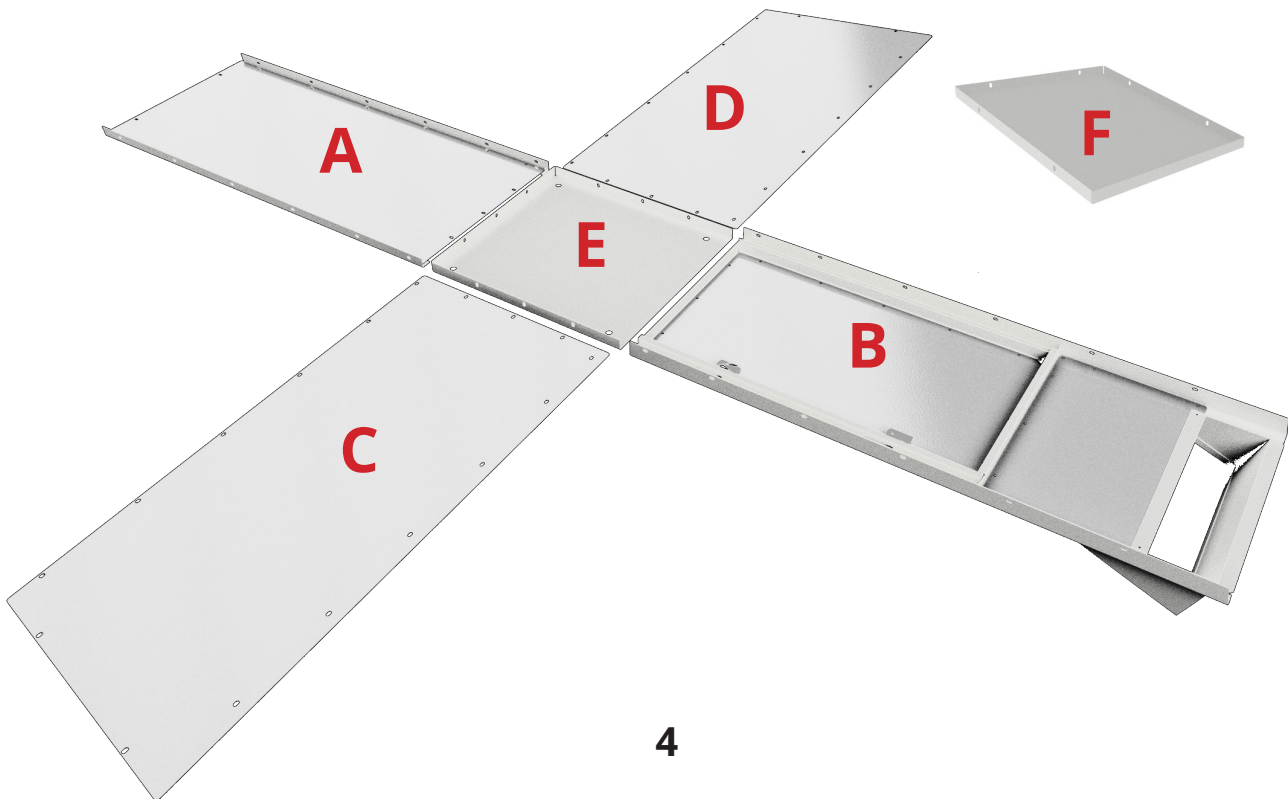
## Assembly Instructions

### Step 1 – Assembly preparation\*\*:

Start the assembly process by establishing a clean, well-lit workspace to assemble the cabinet. Lay the pieces out sticker-side up on a soft surface like a rug, carpet, or tarp. You can also use the included foam packaging to help prevent any potential damage.

Ensure each panel's bottom three holes face **Floor Plate (E)** and have the no-lip side of the plate facing **Front Panel (B)**.

**\*\*Note:** These instructions serve as general guidelines to assist you in the successful assembly of your cabinet. It's important to note that the alignment and securing of the cabinet are the assembler's responsibilities, as each installation may have unique requirements. Exercise caution and ensure that you follow safety procedures during assembly to guarantee a secure and functional final product.



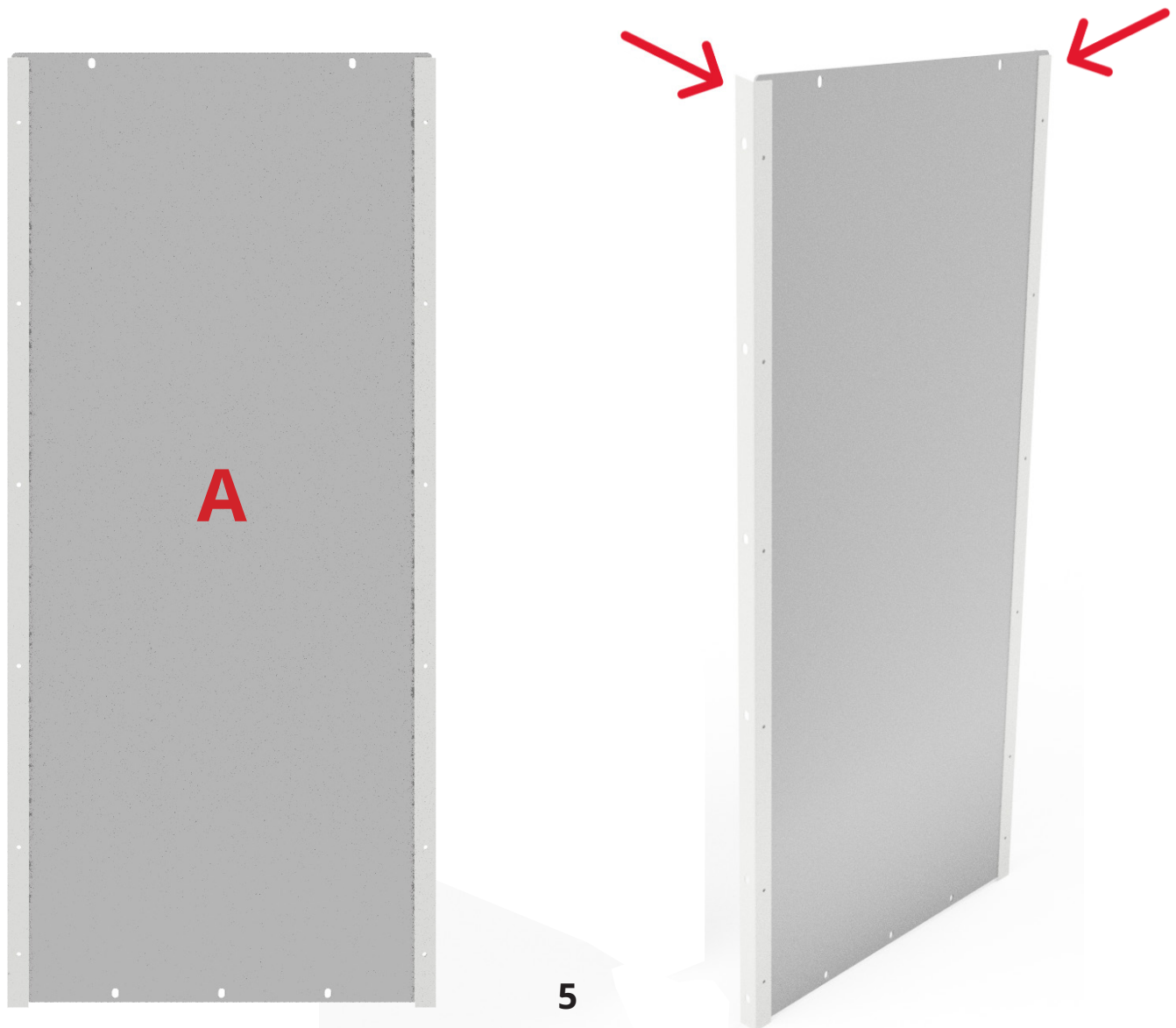
# M710-ACM

## Assembly Instructions

### Step 2 – Assemble the back panel:

Lift **Back Panel (A)** upwards, as shown below. Enlist the help of someone to hold the panel in place or prop it up against a nearby wall or structure.

Make a mental note of the metal corner supports on each side and the direction they are facing. These beams will support the side panels in the next two steps.



# M710-ACM

## Assembly Instructions

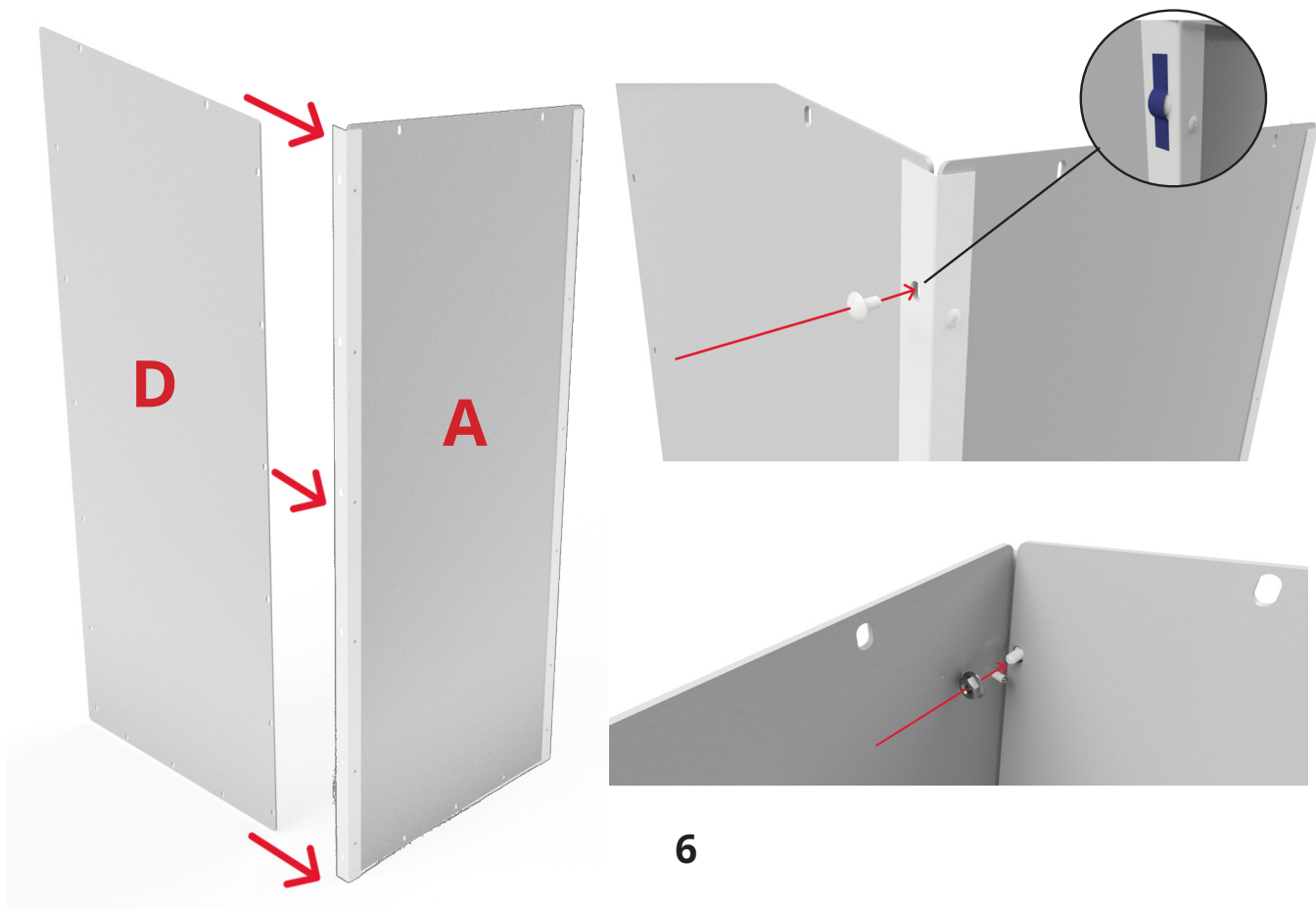
### Step 3 – Assemble the right side panel:

After the back panel is securely set in place, lift **Right Side Panel (D)** upwards and slide it behind the metal corner support, as shown below. Seek additional assistance, if necessary.

Next, align the side panel with the metal corner support's accompanying holes and insert **Six 1/4-Inch Carriage Bolts** into each exterior hole.

***If assembling alone, use masking tape to keep the bolts in place throughout the remainder of the assembly process.***

On the interior, attach **Six 1/4-Inch Nuts** onto the bolts, tightening them with a 7/16-inch wrench, impact driver, or socket wrench.





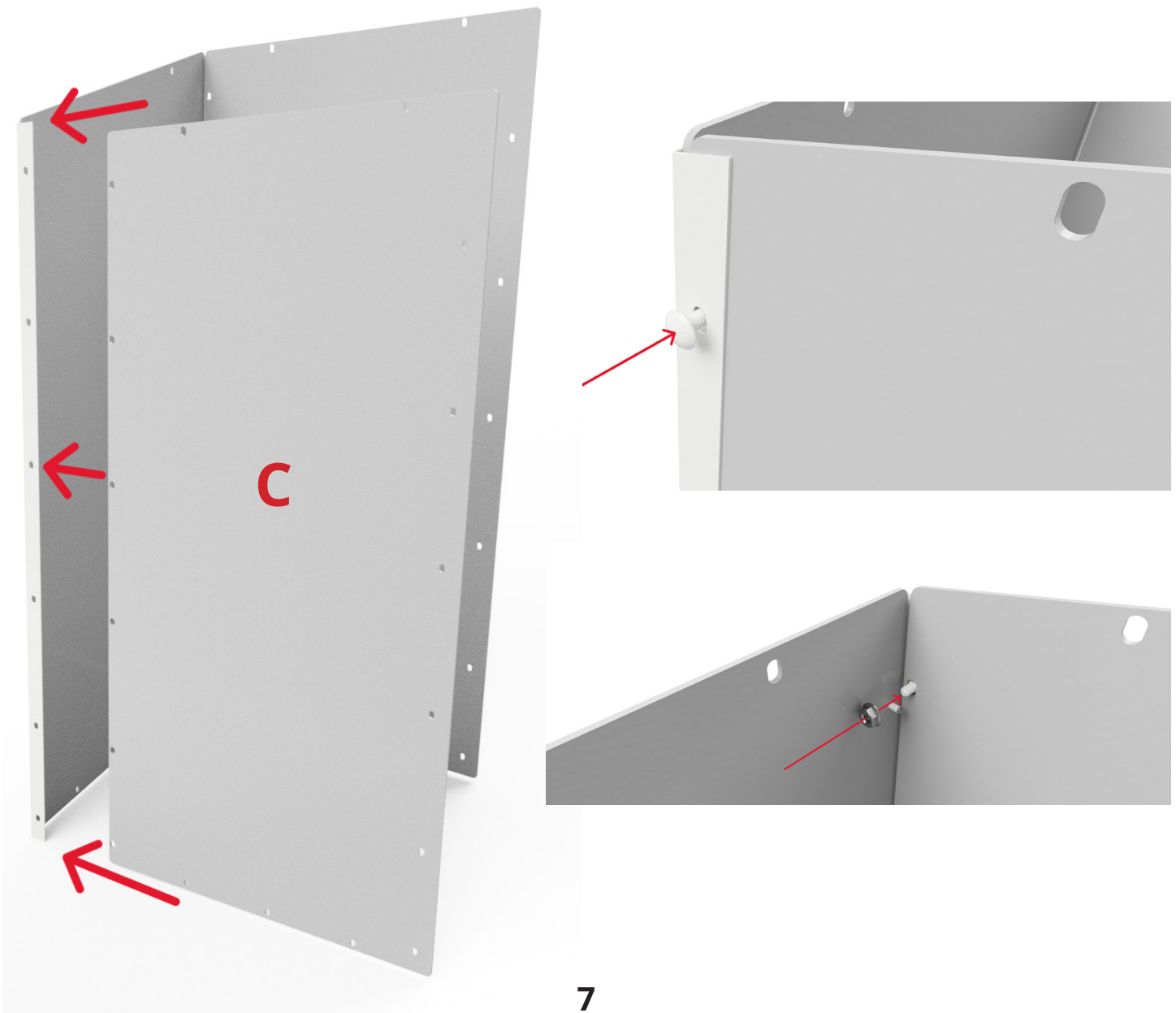
# M710-ACM

## Assembly Instructions

### Step 4 – Assemble the left side panel:

Repeat Step 3 but with **Left Side Panel (C)**.

Seek additional assistance, if necessary.



# M710-ACM

## Assembly Instructions

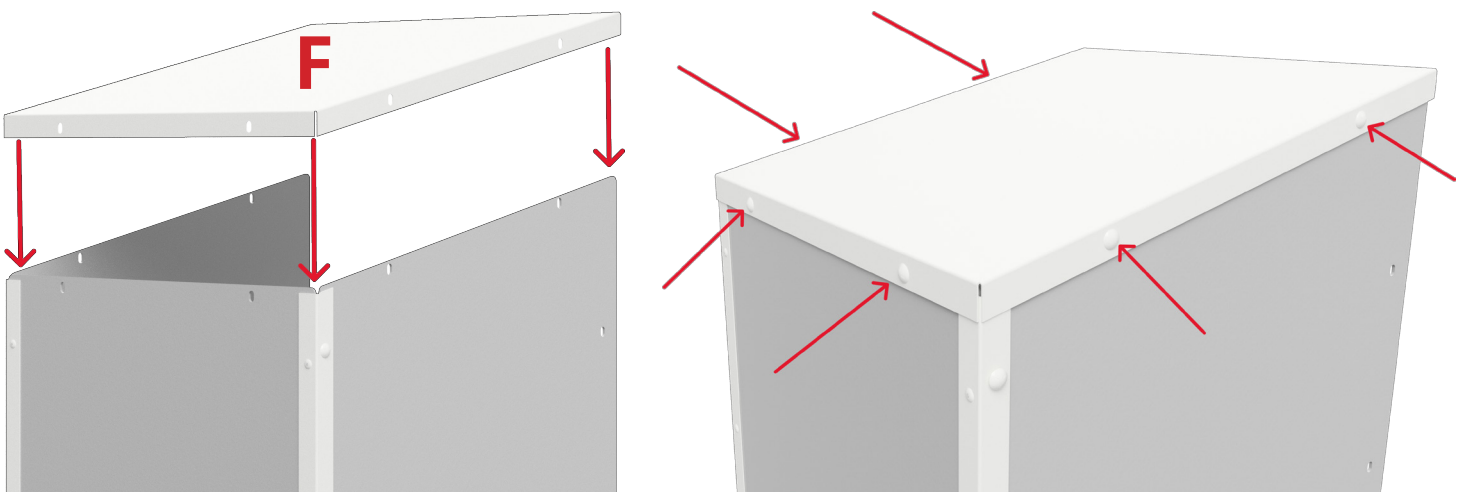
### Step 5 – Assemble the top plate:

After the left and right side panels are secured to the back panel and its metal corner supports, place **Top Plate (F)** over the top of the panels, as shown below. The plate should fit snug over the back and appear more loose on the front side of the assembly.

On the exterior, use **Six 1/4-Inch Carriage Bolts** to secure it to the top of the side panels.

On the interior\*\*, attach **Six 1/4-Inch Nuts** onto the bolts, tightening them with a 7/16-inch wrench, impact driver, or socket wrench.

**\*\*Note:** You can access the interior holes by putting the assembly on its back with the front panel location facing upwards OR by viewing them from inside the cabinet.





# M710-ACM

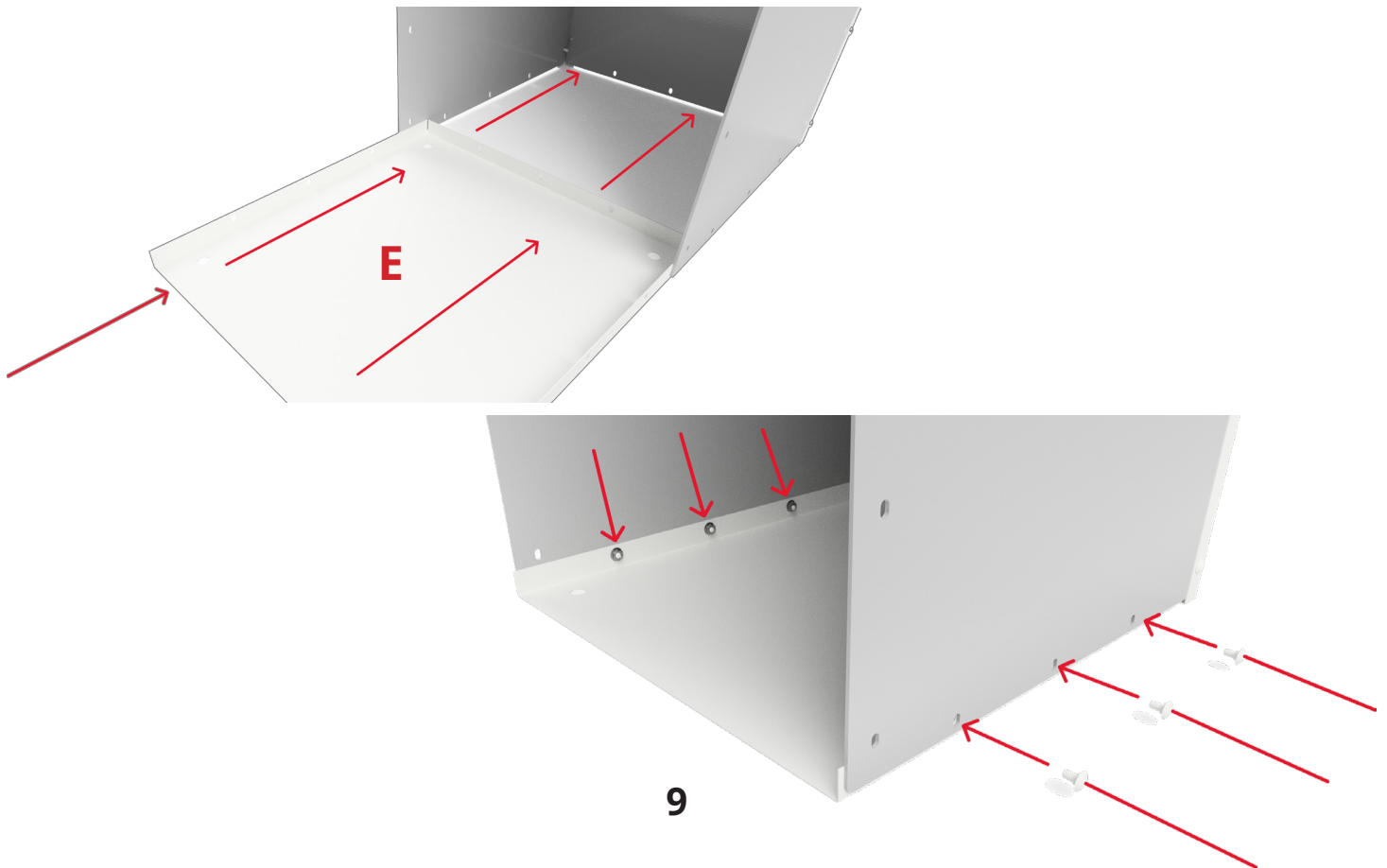
## Assembly Instructions

### Step 6 – Assemble the floor plate:

After the side panels, top plate, and their accompany parts are securely fastened to the assembly, slide **Floor Plate (E)** into the bottom interior of the cabinet.

On the exterior, use **Nine 1/4-Inch Carriage Bolts** to secure it to the floor plate.

On the interior, attach **Nine 1/4-Inch Nuts** onto the bolts by finger tightening them for increased mobility in the next step. Remember to tighten the nuts when completed.



# M710-ACM

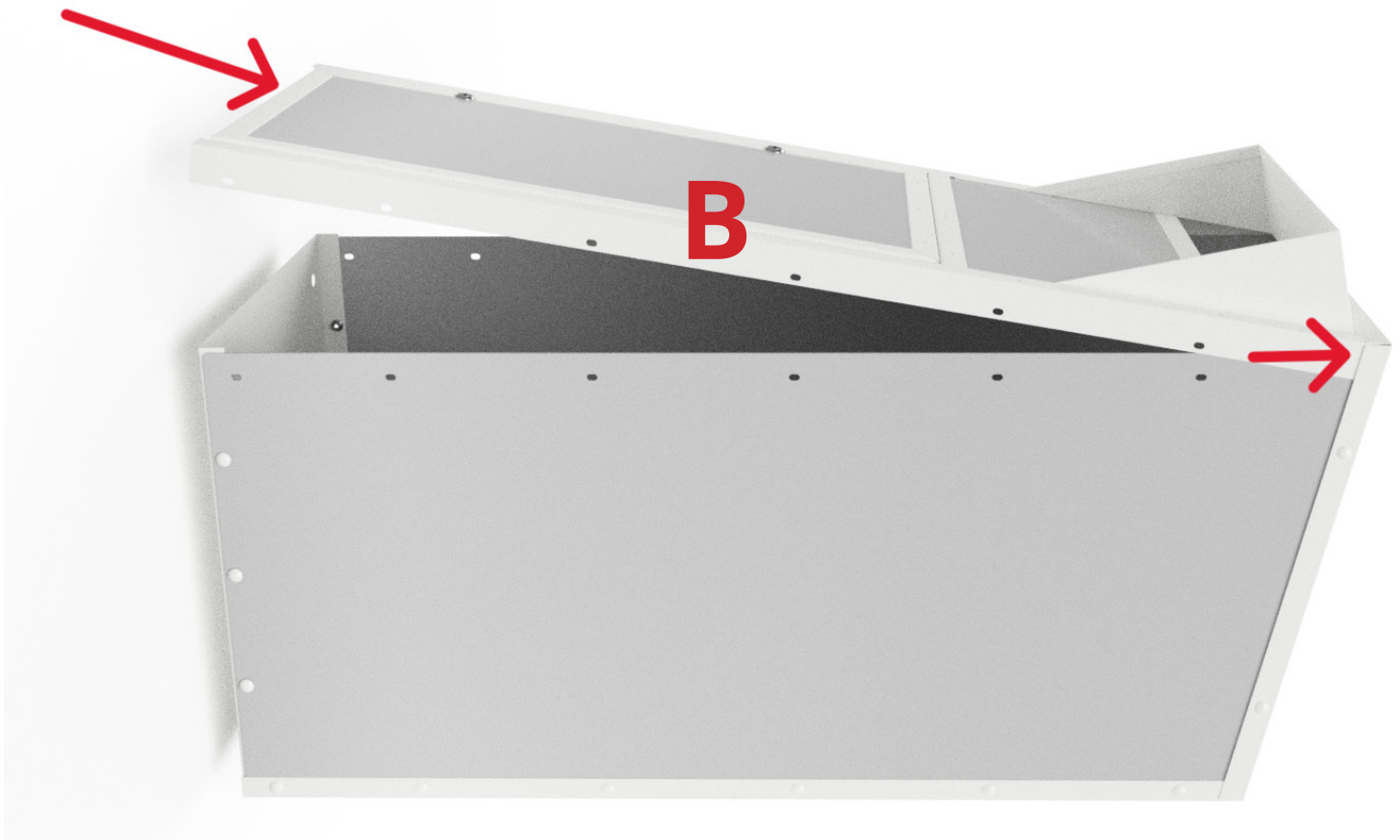
## Assembly Instructions

### Step 7 – Assemble the front panel:

Finally, take the entire assembly and gently lay it on its back using a soft surface like a rug, carpet, tarp, or the included foam packaging.

Take **Front Panel (B)** and slide it up against the side panels while maintaining a slight angle so that it fits inside the top plate. Then, gently push the bottom of the front panel inward, allowing it to slide over the edges of the side panels and the floor plate.

Adjust the floor plate accordingly to allow for a proper fit.



# M710-ACM

## Assembly Instructions

### Step 7 – Assemble the front panel (cont.):

Set the cabinet in a upright position and carefully open the door\*\* as the front panel will not yet be fully secure.

On the exterior, use **Twelve 1/4-Inch Carriage Bolts** to secure the front to each side panel.

On the interior, attach **Twelve 1/4-Inch Nuts** onto the bolts, tightening them with a 7/16-inch wrench, impact driver, or socket wrench.

***Remember to firmly tighten the nuts on the floor plate from Step 6 when assembly is completed.***

**\*\*Note:** Unlock the front door with both sets of keys inserted into the cabinet. Turn keys clockwise in tandem to open the door.

For future applications, please note that the keys DO NOT come out of the tumbler in the unlocked position; the key must be in the lock position for it to be pulled out.



# This completes the assembly of your new 710-ACM Drop Box!



## SECURING YOUR KIOSK

You can choose to secure the drop box to a flat concrete surface using the provided **Four Wedge Anchors**. Find detailed instructions for anchoring in the anchor bag provided.

Paperback installation instructions can be found on the next page. To view our instructional video, scan the QR code with your smart device's camera.

## Need Support?

Should you have any issues with assembling your new kiosk, contact our support team at [\(877\) 350-0693](tel:8773500693) or [sales@ascabr.com](mailto:sales@ascabr.com)

