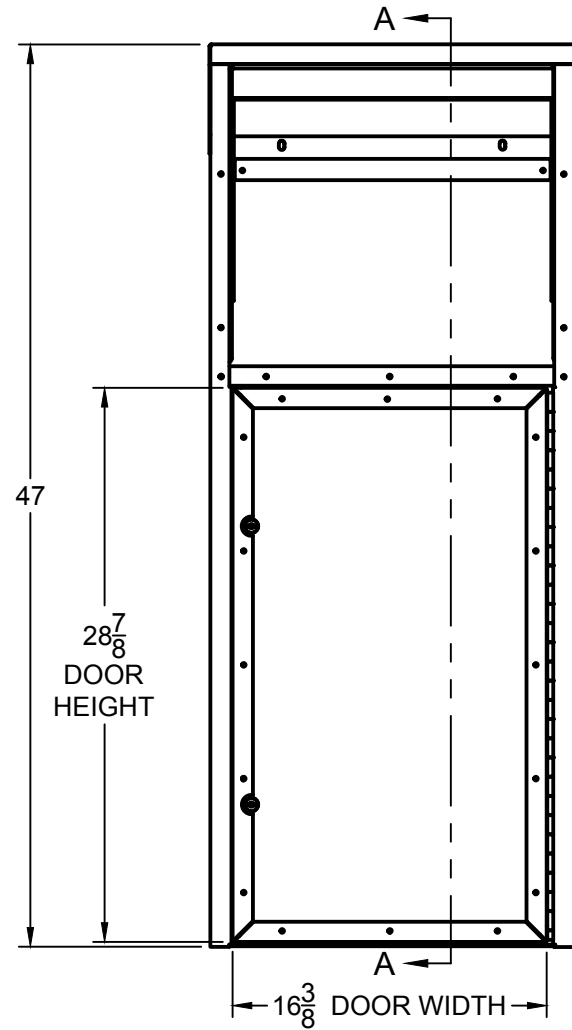
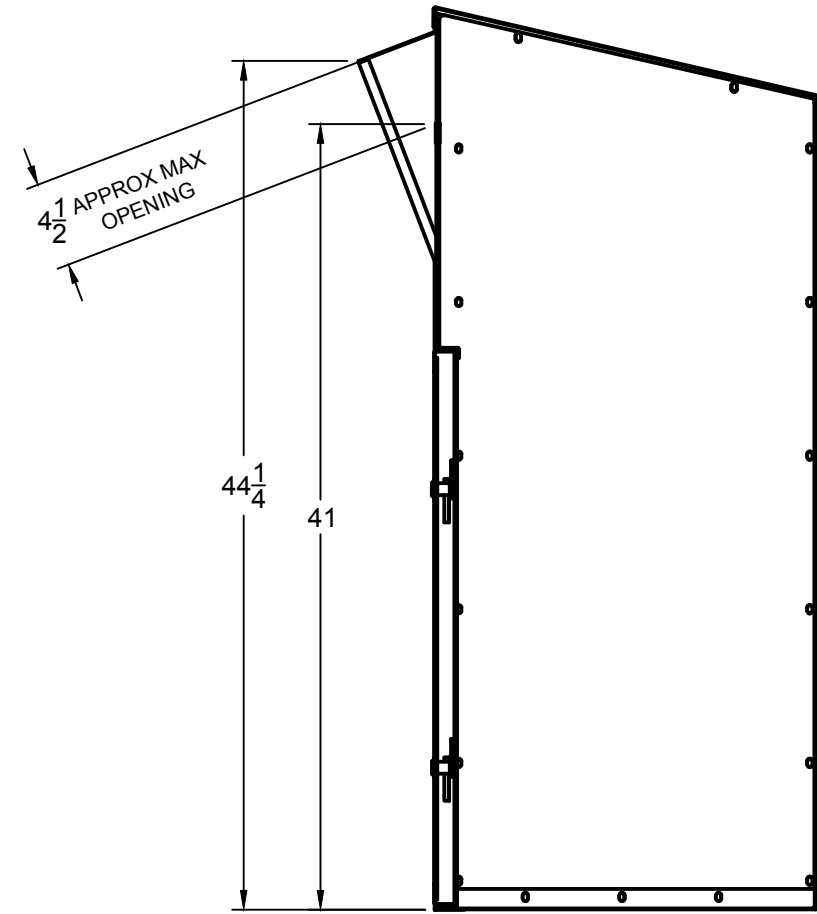


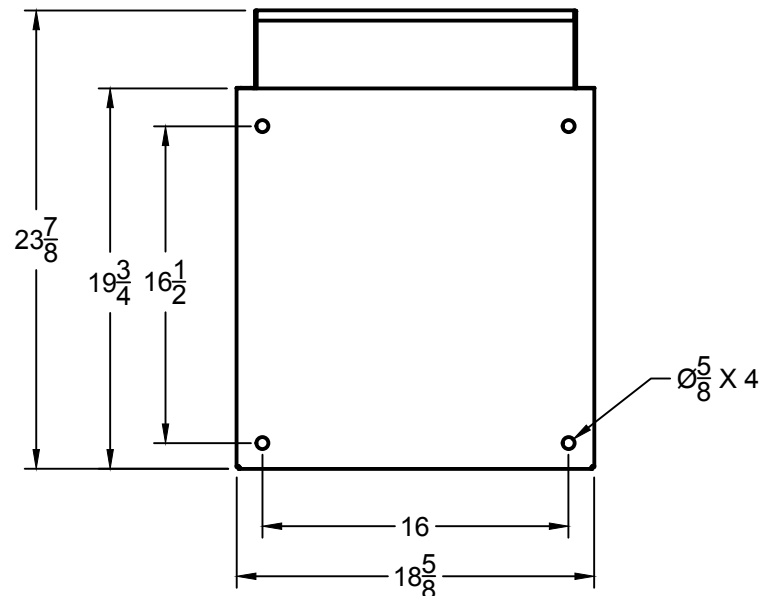
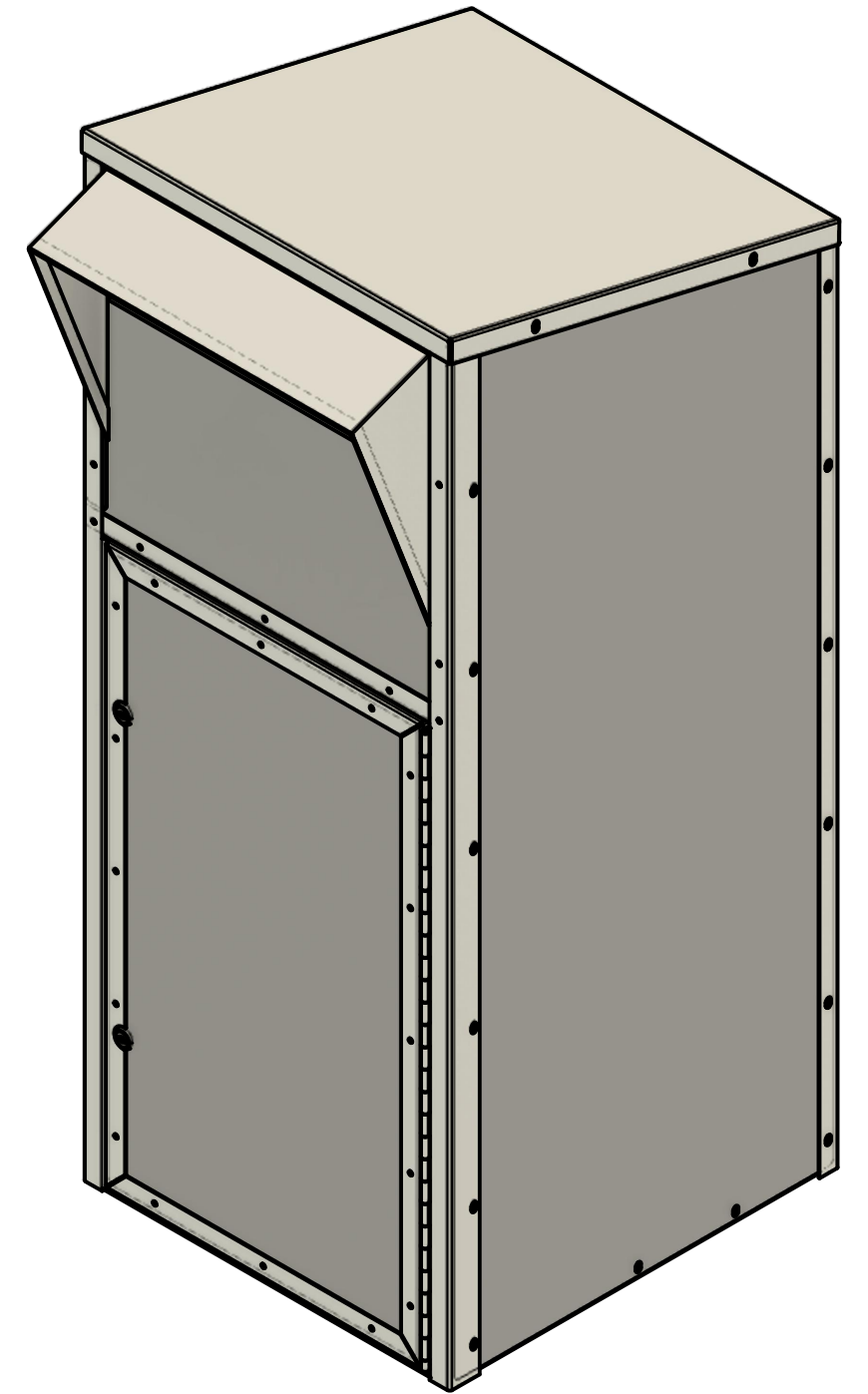
# FRONT VIEW



# RIGHT VIEW



SECTION A-A  
RIGHT SIDE CUT  
THROUGH



# BOTTOM VIEW

**ALL TOLERANCES UNLESS OTHERWISE SPECIFIED**  
 ANGLE ± .5° DIMENSIONS: .XXX ± .01  
 ALL HOLES ARE TO BE: +.01 / -.000  
 ALL FORMING: ± .03 WELDING: ± .06  
 ALL DIMENSION ARE IN INCHES

AMERICAN SECURITY CABINETS, INC.  
 2605 5TH STREET NORTH  
 ST. CLOUD, MN 56303  
 866-268-4955



PROJECT		CUT SHEET	
TITLE		M710-ACM	
MATERIAL		18 ga Powdercoat Steel- ACM	
SHEET	PART NUMBER	SCALE	
1/1	M710-ACM	1:10	

Easton Johnson | 11/3/23