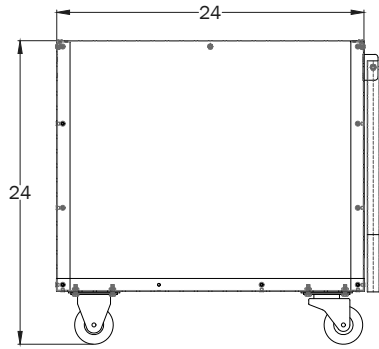


UNDER COUNTER BOOK TRUCK INCLUDES

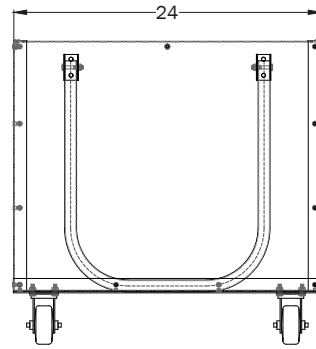
| PART ID | DESCRIPTION |
|---------|--|
| UCBT-PC | UNDER COUNTER BOOK TRUCK: FEATURES A GENTLE DROP NO-TIP FLOOR. TRUCK IS MADE OF A GALVANNEALED PAINT GRIP STEEL, REINFORCED AT EACH CORNER, EDGE AND BASE. BACKED ON POWDER COAT IN A SILVER VEIN FINISH. THE TRUCK IS 24 X 24 X 24 INCHES HIGH. NO-TIP DEPRESSIBLE FLOOR IS COVERED BY A DURABLE CANVAS LINER AND RUBBER PAD. HOOP HANDLE AND (4) 3 INCH SMOOTH ROLLING, FLOOR SAFE, NON MARKING POLYURETHANE TREAD CASTERS (FRONT TWO SWIVEL) MAKE TRANSPORTING BOOKS EASY. |

COMPATIBLE RETURNS

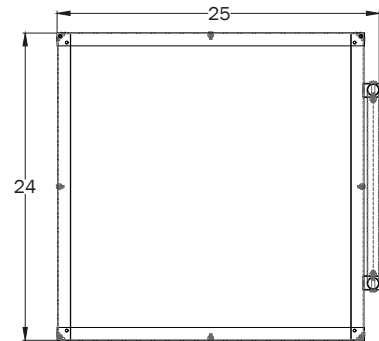
| | |
|----------|---|
| HCU-BR | HCU-BR EXTERIOR SS HEAD AND CHUTE FOR BOOKS |
| HCU-BR-M | HCU-BR EXTERIOR SS HEAD AND CHUTE FOR MEDIA |
| HSU-BR | HSU-BR INTERIOR HEAD AND SLEEVE UNIT |
| HSU-BR-C | HSU-BR-C INTERIOR HEAD W/ HCU CHUTE |



RIGHT SIDE VIEW



FRONT VIEW



TOP VIEW

THE INFORMATION CONTAINED IN THIS DRAWING IS THE SOLE PROPERTY OF AMERICAN BOOK RETURNS. ANY MISUSE IN PART OR AS A WHOLE IS STRICTLY PROHIBITED BY AMERICAN BOOK RETURNS.

AMERICAN BOOK RETURNS
120 6TH AVE. NORTH
ST. CLOUD, MN 56303
320-253-3044

TITLE
UNDER COUNTER BOOK TRUCK_CUT SHEET

PART NAME
UNDER COUNTER BOOK TRUCK

| REV | DESCRIPTION | DATE | BY | TOL: UNLESS OTHERWISE SPECIFIED ANGLES: ±1° .XX±.030 .XXX±.010 | SHEET | PART ID # | SCALE | REV |
|-----|-------------|----------|-----|---|-------|-----------|-------|-----|
| 1 | NEW DESIGN | 6-05-15 | JRS | | | SEE ABOVE | NTS | 1 |
| | RELEASE | 11-02-10 | JRS | | | | | |