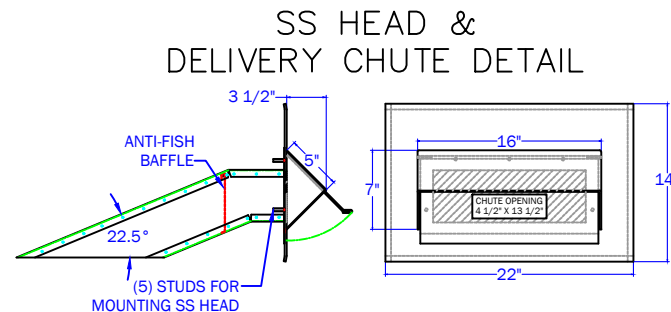


MODEL MDU INCLUDES		ACCESSORY OPTIONS	
PART ID	DESCRIPTION	PART ID	DESCRIPTION
0112	LOCKED CHEST, SS HEAD, DELIVERY CHUTE, LOCK AND KEYS, SIGNS: "BOOK DROP" & "LIFT TO OPEN" CUSTOM SIGNS AVAILABLE AT NO ADDITIONAL CHARGE	0608	LOCKABLE LIFT PLATE INCLUDES LOCK BAR, PAD LOCK, AND 2 KEYS
		1217	MEDIA SLOT RESTRICTOR PLATE ADJUSTABLE FROM 1/2" TO 2 3/4" X 13 1/3" WIDE. PLATE ATTACHES BEHIND HCU SS HEAD.
		1114	COLOR COATED ARMOR ENTIRE STAINLESS STEEL HEAD, CHUTE, AND CABINET ONE COLOR



WALL DEPTH ELEVATIONS	
ASSUMES SAME INTERIOR AND EXTERIOR GRADE	
WALL DEPTH	C.L. OF ROUGH OPENING
4" - 6"	34 15/16" - 35 3/4"
6" - 8"	35 3/4" - 36 9/16"
8" - 10"	36 9/16" - 37 7-16"
10" - 12"	37 7/16" - 38 1/4"
12" - 14"	38 1/4" - 39 1/16"
14" - 16"	39 1/16" - 39 7/8"
16" - 18"	39 7/8" - 40 3/4"
18" - 20"	40 3/4" - 41 9/16"
20" - 22"	41 9/16" - 42 3/8"
22" - 24"	42 3/8" - 43 3/16"

THE INFORMATION CONTAINED IN THIS DRAWING IS THE SOLE PROPERTY OF AMERICAN BOOK RETURNS. ANY MISUSE IN PART OR AS A WHOLE IS STRICTLY PROHIBITED BY AMERICAN BOOK RETURNS.

AMERICAN BOOK RETURNS
120 6TH AVE. NORTH
ST. CLOUD, MN 56303
320-253-3044

TITLE
MDU_CUT SHEET

PART NAME
MODEL MDU

SHEET	PART ID # 0112	SCALE NTS	REV 1
-------	-------------------	--------------	----------

REV	DESCRIPTION	DATE	BY	TOL: UNLESS OTHERWISE SPECIFIED ANGLES: ±1° .XX±.030 .XXX±.010
2	FULL LENGTH DOOR	12-2-16	JRS	
	RELEASE	04-23-09	JRS	