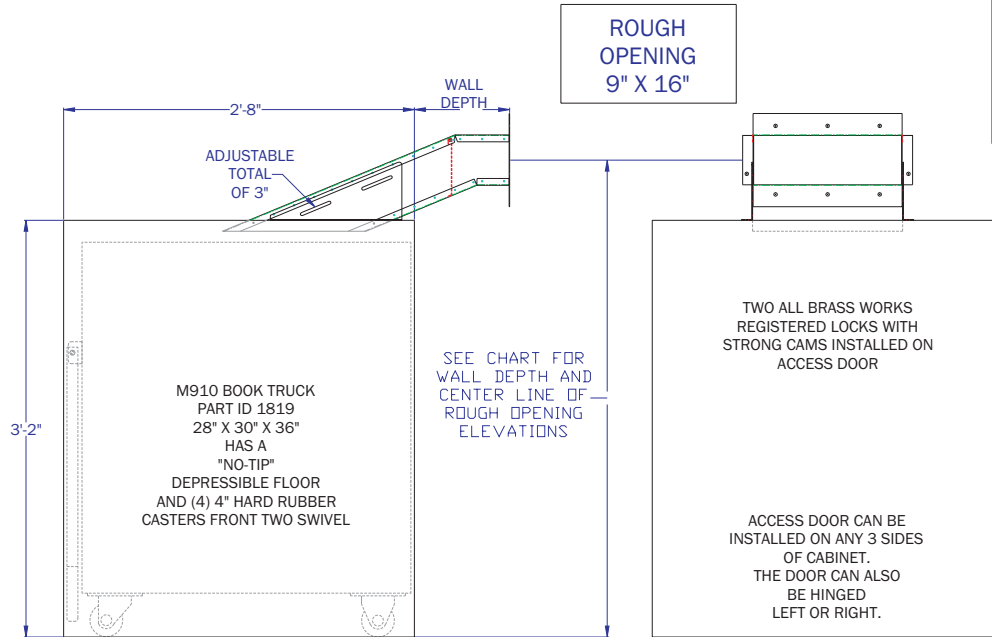


## MODEL 910-TW INCLUDES

PART ID	DESCRIPTION
0133	STAINLESS STEEL (SS) CABINET, SS HEAD, DELIVERY CHUTE, LOCK AND KEYS, AND M910 BOOK TRUCK FEATURES GENTLE DROP NO-TIP FLOOR

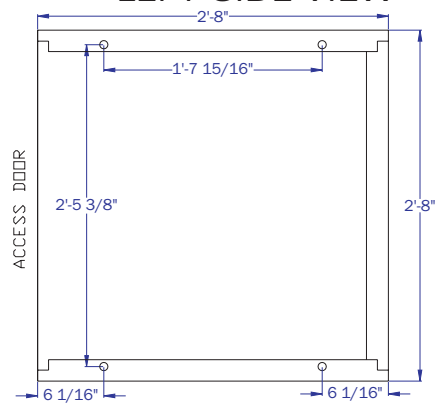
## ACCESSORY OPTIONS

PART ID	DESCRIPTION
0608	LOCKABLE LIFT PLATE INCLUDES LOCK BAR, PAD LOCK, AND 2 KEYS
1819	EXTRA M910 BOOK TRUCK FEATURES GENTLE DROP NO-TIP FLOOR
1114	COLOR COATED ARMOR ENTIRE STAINLESS STEEL HEAD ONE COLOR



LEFT SIDE VIEW

FRONT VIEW



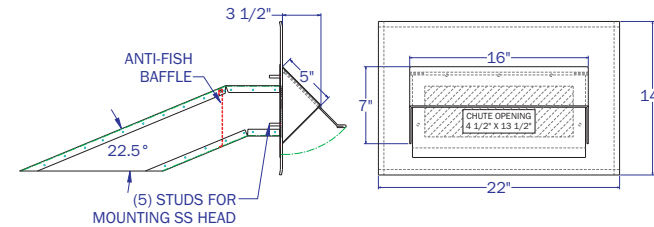
FOOT PRINT

### M910-TW ANCHORS WITH (4) 1/2" SS ANCHORS

1. MARK AND DRILL HOLE SAME
  2. TAP IN ANCHOR
  3. SECURE WITH WRENCH
- SIZE AS ANCHOR



### SS HEAD & DELIVERY CHUTE DETAIL



### WALL DEPTH ELEVATIONS

ASSUMES SAME INTERIOR AND EXTERIOR GRADE

WALL DEPTH	C.L OF ROUGH OPENING
4" - 6"	41 1/2" - 42 1/4"
6" - 8"	42 1/4" - 43"
8" - 10"	43" - 44"
10" - 12"	44" - 44 3/4"
12" - 14"	44 3/4" - 45 1/2"
14" - 16"	45 1/2" - 46 1/2"
16" - 18"	46 1/2" - 47 1/4"
18" - 20"	47 1/4" - 48"

THE INFORMATION CONTAINED IN THIS DRAWING IS THE SOLE PROPERTY OF AMERICAN BOOK RETURNS. ANY MISUSE IN PART OR AS A WHOLE IS STRICTLY PROHIBITED BY AMERICAN BOOK RETURNS.

AMERICAN BOOK RETURNS  
120 6TH AVE. NORTH  
ST. CLOUD, MN 56303  
320-253-3044

TITLE

M910 THRU-WALL\_CUT SHEET

PART NAME

MODEL 910-TW

TOL: UNLESS OTHERWISE SPECIFIED  
ANGLES: ±1°  
.XX±.030  
.XXX±.010

SHEET

1 OF 2

PART ID #

0133

SCALE

NTS

REV

REV	DESCRIPTION	DATE	BY
	RELEASE	04-23-09	JRS