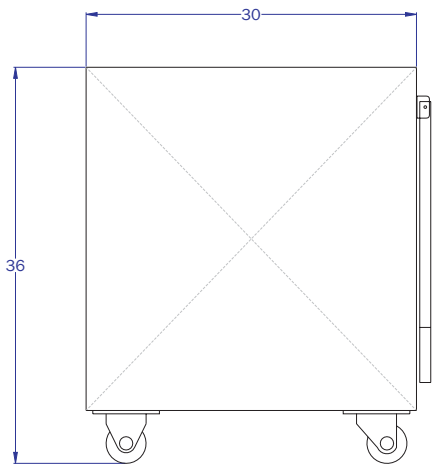
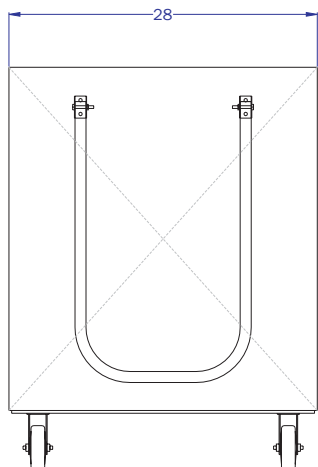


MODEL 910 DOUBLE DROP BOOK TRUCK INCLUDES	
PART ID	DESCRIPTION
1823	FEATURES GENTLE DROP NO-TIP FLOOR. TRUCK IS 28 x 30 x 36 INCHES HIGH AND MADE OF HEAVY GAUGE GALVANIZED STEEL AND REINFORCED AT EACH CORNER, EDGE AND BASE. NO-TIP DEPRESSIBLE FLOOR IS COVERED BY A DURABLE LINER AND RUBBER PAD. HOOP HANDLE AND (4) 4 INCH HARD RUBBER CASTERS (FRONT TWO SWIVEL) MAKE TRANSPORTING BOOKS EASY.

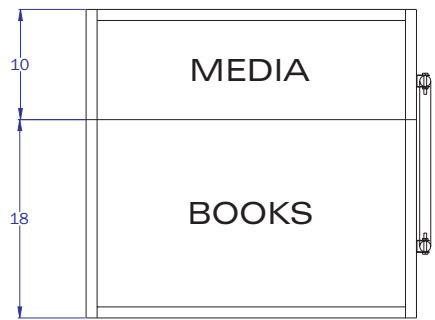
ACCESSORY OPTIONS	
PART ID	DESCRIPTION
1821	MODEL 910 BOOK TRUCK COVER WEATHER PROTECTIVE POLY CANVAS DOUBLE STITCHED AT EACH SEAM.



RIGHT SIDE VIEW



FRONT VIEW



TOP VIEW

THE INFORMATION CONTAINED IN THIS DRAWING IS THE SOLE PROPERTY OF AMERICAN BOOK RETURNS. ANY MISUSE IN PART OR AS A WHOLE IS STRICTLY PROHIBITED BY AMERICAN BOOK RETURNS.

AMERICAN BOOK RETURNS  
120 6TH AVE. NORTH  
ST. CLOUD, MN 56303  
320-253-3044

TITLE  
**MODEL 910 BOOK TRUCK\_CUT SHEET**

PART NAME  
**MODEL 910 DOUBLE DROP BOOK TRUCK**

REV	DESCRIPTION	DATE	BY	TOL: UNLESS OTHERWISE SPECIFIED ANGLES: ±1° .XX±.030 .XXX±.010
	RELEASE	11-02-10	JRS	

SHEET	PART ID #	SCALE	REV
1 OF 1	1823	NTS	