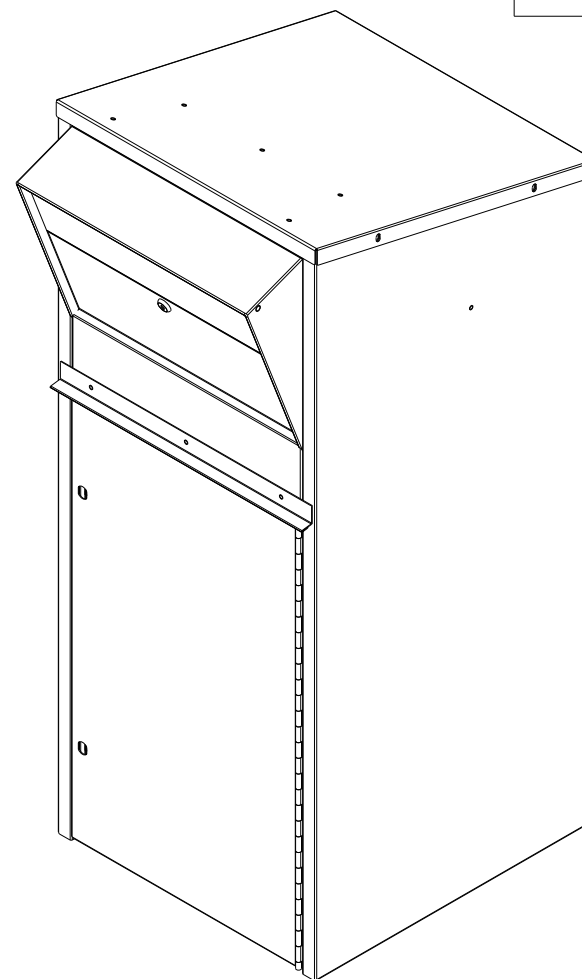


PARTS LIST	
QTY	PART
1	M710-BP
1	M710-DP
1	M710-FP
1	M710-LP
1	M710-RP
1	M710-TP
1	M710-OHC-B
1	M710-OHC-PP
1	M710-OHC-T
1	M710-RS



PART	MATERIAL
-PG	18 GA PAINT GRIP
-SST	18 GA 304 #4 SST

REVISION	DESCRIPTION	DATE	BY	AMERICAN SECURITY CABINETS, INC. 2605 5TH STREET NORTH ST. CLOUD, MN 56303 866-268-4955	PROJECT 710-SC TITLE M710 SECURITY CABINET OHC MATERIAL SEE TABLE SHEET PART NUMBER 1 OF 1 M710-SC-OHC-PG	SCALE 1:8
6	PEMS ON FRONT TOP	5/16/18	MM			
5	LP, DP, F OHC-B DOOR JAM MODS	12/7/17	MM			
4	NEW DESIGN	11-22-17	MM			
6.1	ASSEMBLY TWEAKS	11/26/19	MM			