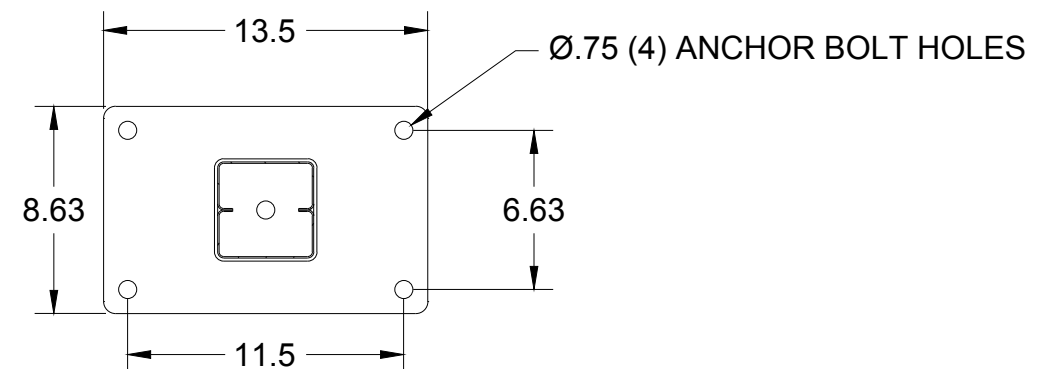
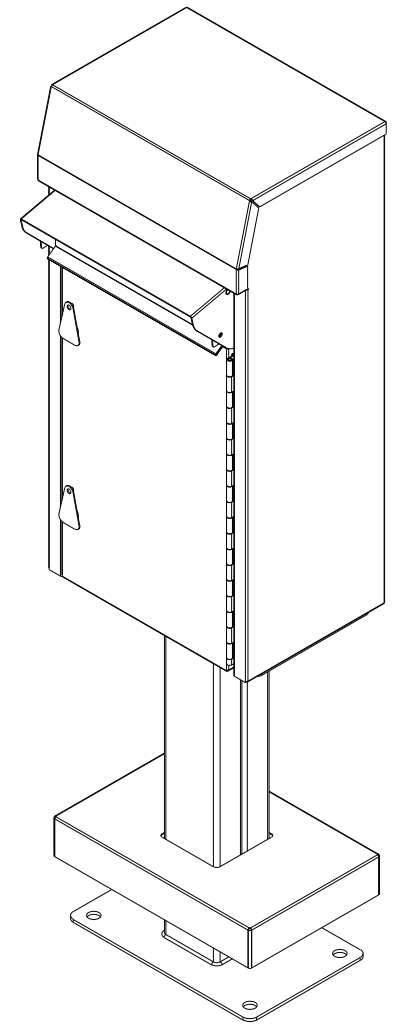


**SECTION B-B
SCALE 1:8
COVER PLATE**



**SECTION A-A
SCALE 1:8**



				AMERICAN SECURITY CABINETS, INC. 2605 5TH STREET NORTH ST. CLOUD, MN 56303 866-268-4955		PROJECT 450-SC	
						TITLE M450 PAYMENT W/ 22" STAND	
				TOL: UNLESS OTHERWISE SPECIFIED ANG: ± .5° DIM: XX±.025 .XXX ± .015 ALL FORMING: ± .03 WELDING: ± .06 ALL DIMENSION ARE IN INCHES		MATERIAL 304 SST	
REVISION	DESCRIPTION	DATE	BY	SHEET	PART NUMBER	SCALE	
0	RELEASE	11/7/20	MM	1 OF 1	M450-P + OC-22	1:8	