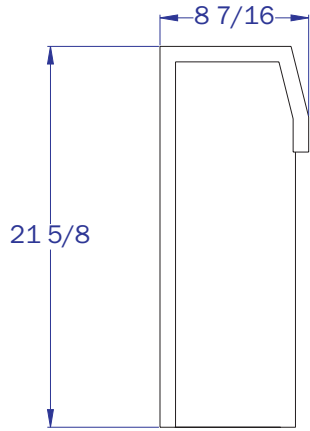
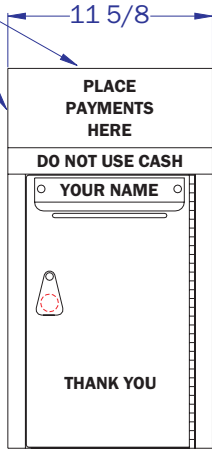


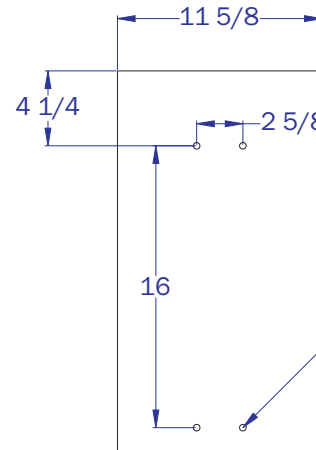
SILICONE AROUND CABINET
AFTER INSTALLED



LEFT SIDE VIEW



FRONT VIEW



BACK VIEW

M400-OW INCLUDES

PART ID	DESCRIPTION
0103	STAINLESS STEEL "FOLD-WELD" CAP AND CABINET, PIANO HINGED DOOR, BRASS WORKS LOCK, (2) DOUBLE-BITTED KEYS, STRONG CAM, LOCK COVER AND FLOOR LINER, RAINSHIELD INSTALLED ABOVE SLOT AND (3) BLACK SIGNS: "PLACE PAYMENTS HERE", "DO NOT USE CASH", "THANK YOU"
1002	ID PLATE 1.25 X 8.5 INCH WIDE, ENGRAVED WITH YOUR NAME

ACCESSORY OPTIONS

PART ID	DESCRIPTION
0601	DOUBLE LOCK DOOR PANEL WITH (2) EIGHT TUMBLER, ALL BRASS WORKS LOCKS AND (2) DOUBLE-BITTED KEYS FOR EACH LOCK
0609	"CLOSED" SLOT COVER ATTACHES INSIDE WITH (2) WING NUTS
0702	WIDE-SLOT ENTRY PANEL .75 X 8.75 INCHES WIDE SLOT OPENING WITH HEAVY DUTY SS RAINSHIELD
0801	ENVELOPE HOLDER 8 X 4.5 INCHES WIDE [25 CAPACITY]
0802	ENVELOPE HOLDER 10.5 X 4.5 INCHES WIDE [25 CAPACITY]
0803	ENVELOPE HOLDER 10.5 X 4.5 INCHES WIDE [100 CAPACITY]
1101	OCEAN FRONT FINISH POWDER COAT SALT RESISTANT FINISH, FOR EACH CABINET, PEDESTAL, OR PAIR OF PROTECTOR POSTS
1008	CUSTOM VINYL MESSAGE AND/OR COLOR
1102	POWDER COAT ENTIRE CABINET ONE COLOR
1103	SPECIAL COLOR ORDER CALL FOR SAMPLES

THE INFORMATION CONTAINED IN THIS DRAWING IS THE SOLE PROPERTY OF AMERICAN SECURITY CABINETS. ANY MISUSE IN PART OR AS A WHOLE IS STRICTLY PROHIBITED BY AMERICAN SECURITY CABINETS

AMERICAN SECURITY CABINETS
120 6TH AVE. NORTH
ST. CLOUD, MN 56303
320-253-3044

TITLE

MODEL 400-OW CUT SHEET

PART NAME

M400-OW

REV	DESCRIPTION	DATE	BY	TOL: UNLESS OTHERWISE SPECIFIED ANGLES: ±1° .XX±.030 .XXX±.010
	RELEASE	04-19-10	JRS	

SHEET	PART ID #	SCALE	REV
1 OF 1	SEE ABOVE	NTS	