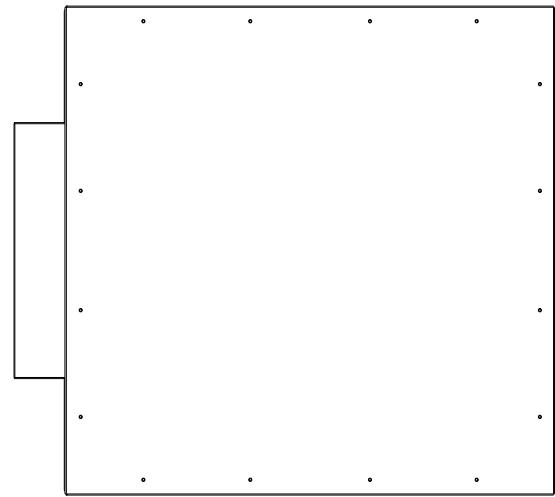
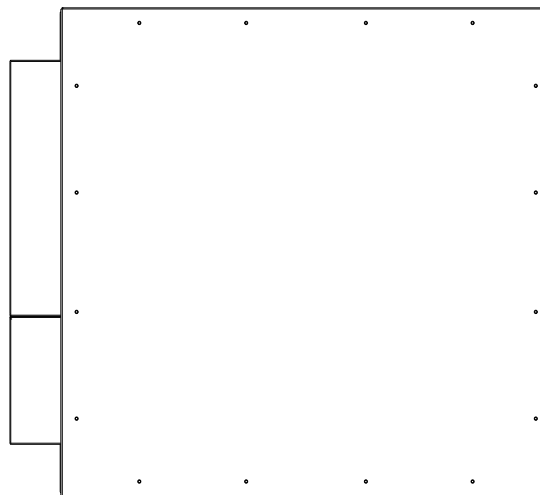
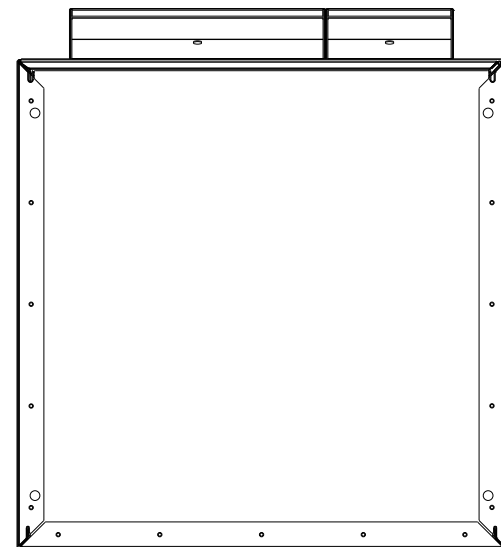
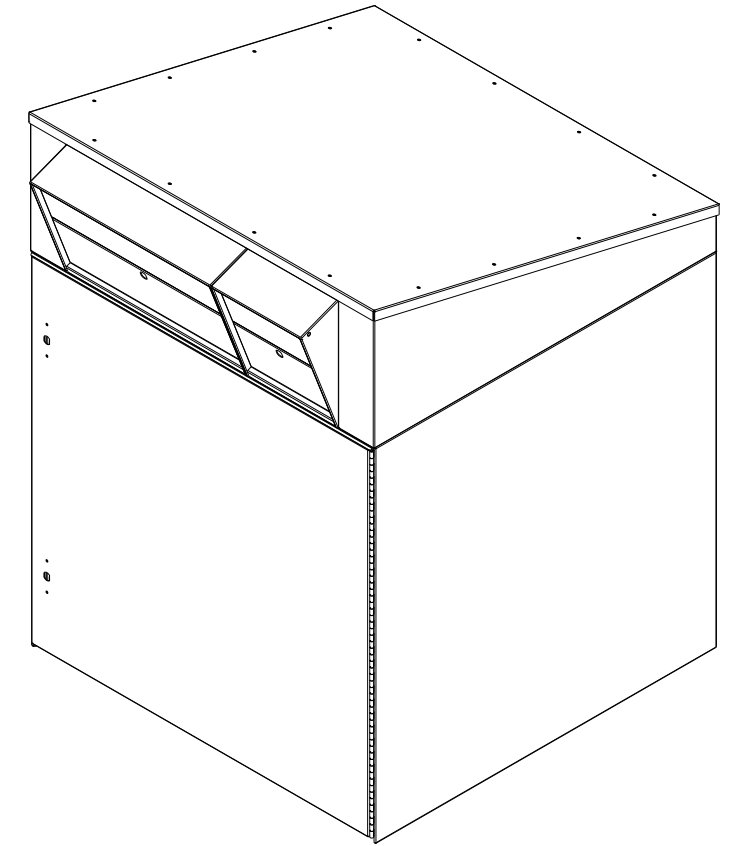
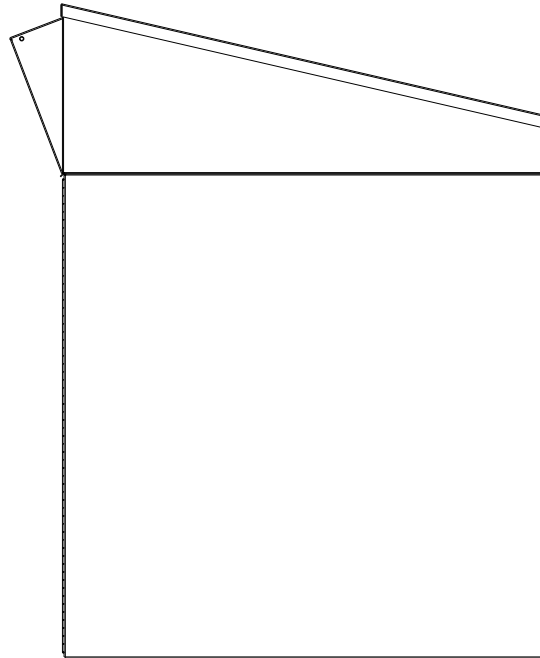
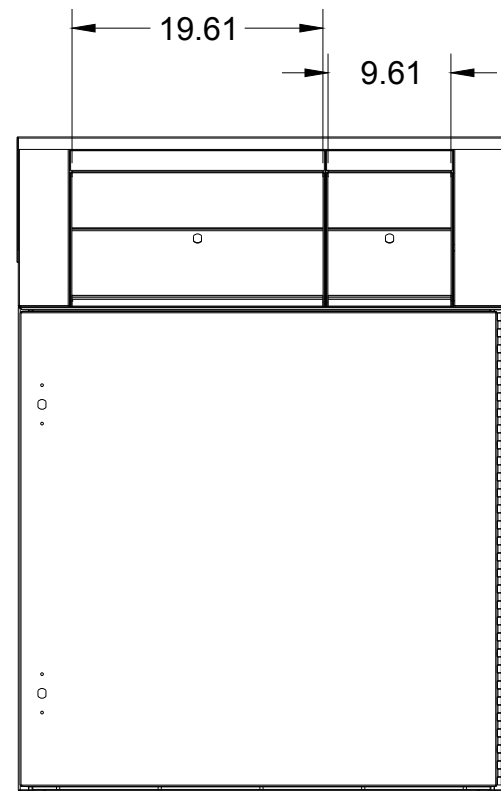


Ø.75 (4x) ANCHOR
BOLT HOLES



- NOTES:
- DOOR CAN OPEN EITHER FROM RIGHT OR LEFT SIDE
 - 'INPUT' SIDE CAN BE ON ANY SIDE OF THE CABINET RELATIVE TO THE DOOR OF THE CABINET
 - 'INPUT HEIGHT' CAN BE RESTRICTED FROM ~4.5" TO BETWEEN 0.5" - 1.5"

				AMERICAN SECURITY CABINETS, INC. 2605 5TH STREET NORTH ST. CLOUD, MN 56303 866-268-4955		PROJECT M1010	
				TOL: UNLESS OTHERWISE SPECIFIED ANG: ± .5° DIM: XX±.025 .XXX ± .015 ALL FORMING: ± .03 WELDING: ± .06 ALL DIMENSION ARE IN INCHES		TITLE M1010 SINGLE DROP CUT SHEET	
REVISION	DESCRIPTION	DATE	BY	MATERIAL 16 GA 304 #4 SST		SHEET 1 OF 2	
0	RELEASE	9/22/20	MM	PART NUMBER M1010-SD		SCALE 1:15	



NOTE:

- ALL DIMENSIONS/FEATURES ARE THE SAME AS THE M1010-SD (SINGLE DROP) EXCEPT THE ADDED DIMENSIONS SHOWING DIFFERENCE IN INPUT
- THE SMALLER INPUT CAN EITHER GO TO THE LEFT OR RIGHT SIDE OF THE LARGER INPUT

				AMERICAN SECURITY CABINETS, INC. 2605 5TH STREET NORTH ST. CLOUD, MN 56303 866-268-4955		PROJECT M1010	
						TITLE M1010 DOUBLE DROP CUT SHEET	
				TOL: UNLESS OTHERWISE SPECIFIED ANG: ± .5° DIM: XX±.025 .XXX ± .015 ALL FORMING: ± .03 WELDING: ± .06 ALL DIMENSION ARE IN INCHES		MATERIAL 16 GA 304 #4 SST	
REVISION	DESCRIPTION	DATE	BY			SHEET	PART NUMBER
0	RELEASE	9/22/20	MM			2 OF 2	M1010-DD
						SCALE	1:15