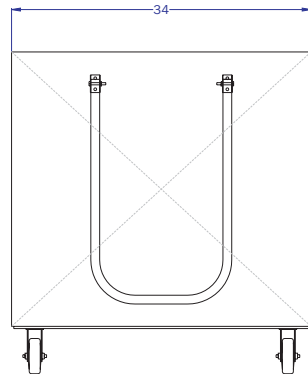
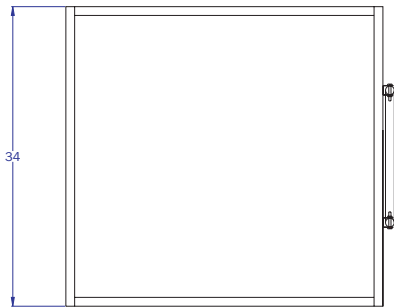


RIGHT SIDE VIEW



FRONT VIEW



TOP VIEW

MODEL 1010 BOOK TRUCK INCLUDES

PART ID	DESCRIPTION
2820	FEATURES GENTLE DROP NO-TIP FLOOR. TRUCK IS 34 X 36 X 36 INCHES HIGH AND MADE OF HEAVY GAUGE GALVANIZED STEEL AND REINFORCED AT EACH CORNER, EDGE AND BASE. NO-TIP DEPRESSIBLE FLOOR IS COVERED BY A DURABLE LINER AND RUBBER PAD. HOOP HANDLE AND (4) 4 INCH HARD RUBBER CASTERS (FRONT TWO SWIVEL) MAKE TRANSPORTING BOOKS EASY.

ACCESSORY OPTIONS

PART ID	DESCRIPTION
1822	MODEL 1010 BOOK TRUCK COVER WEATHER PROTECTIVE POLY CANVAS DOUBLE STITCHED AT EACH SEAM.

THE INFORMATION CONTAINED IN THIS DRAWING IS THE SOLE PROPERTY OF AMERICAN BOOK RETURNS. ANY MISUSE IN PART OR AS A WHOLE IS STRICTLY PROHIBITED BY AMERICAN BOOK RETURNS.

AMERICAN BOOK RETURNS
120 6TH AVE. NORTH
ST. CLOUD, MN 56303
320-253-3044

TITLE
MODEL 1010 BOOK TRUCK_CUT SHEET

PART NAME
MODEL 1010 BOOK TRUCK

REV	DESCRIPTION	DATE	BY	TOL: UNLESS OTHERWISE SPECIFIED ANGLES: ±1° .XX±.030 .XXX±.010
	RELEASE	11-02-10	JRS	

SHEET	PART ID #	SCALE	REV
1 OF 1	2820	NTS	1