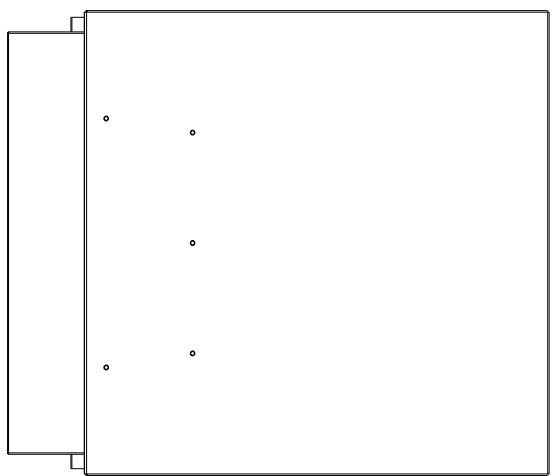
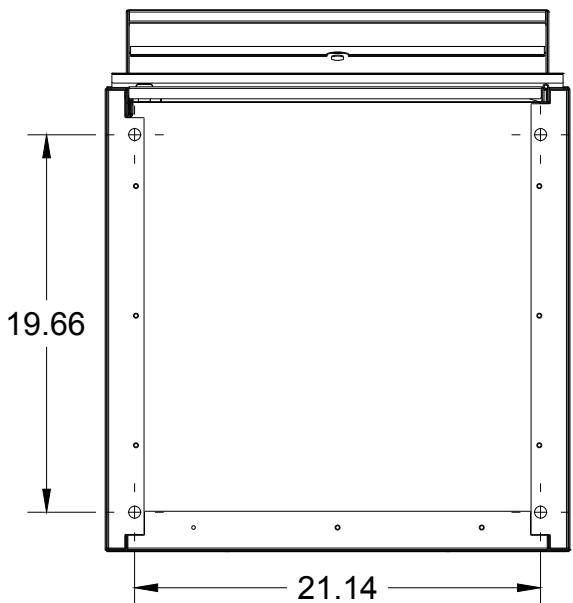


PARTS LIST	
PART	QUANTITY
M810-BP	1
M810-LP	1
M810-RP	1
M810-DP	1
M810-TP	1
M810-FFP	1
M810-OHC-T	1
M810-OHC-B	1
M810-RS	1
M810-OHC-PP	1
M810-HB	1
M810-LD	1



PART	MATERIAL
-PG	18 GA PAINT GRIP
-SST	18 GA 304 #4 SST

REVISION	DESCRIPTION	DATE	BY	AMERICAN SECURITY CABINETS, INC. 2605 5TH STREET NORTH ST. CLOUD, MN 56303 866-268-4955	PROJECT 810-SC TITLE M810 SECURITY CABINET OHC
	RELEASE	5/14/18	MM	TOL: UNLESS OTHERWISE SPECIFIED ANG: ± .5° DIM: XX±.025 .XXX ± .015 ALL FORMING: ± .03 WELDING: ± .06 ALL DIMENSION ARE IN INCHES	MATERIAL SEE TABLE
					SHEET 1 OF 1
					PART NUMBER M810-SC-OHC
					SCALE 1:8

