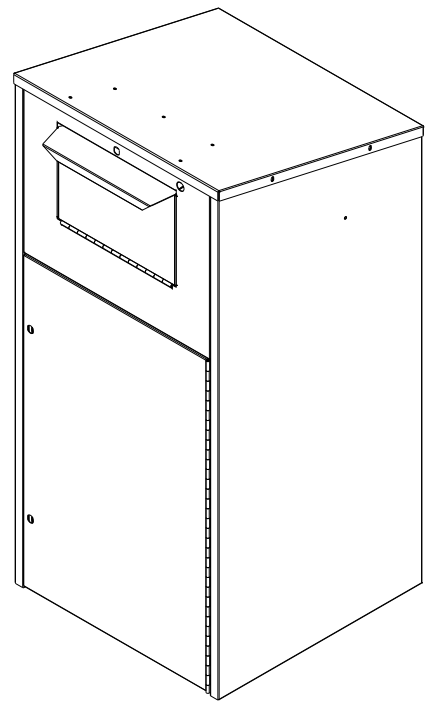


PARTS LIST

QUANTITY	PART
1	M810-BP-SST
3	MH13-CWL-SST
1	M810-DP-SST
1	M810-FP-SST
1	M810-FCP-SST
1	MH13-3DB-SST
1	MH13-DAMP-P
1	MH13-3DB-P-L
1	MH13-3DB-P-R
1	MH13-HF-SST
1	MH13-HH-SST
1	M810-LP-SST
1	M810-RP-SST
1	M810-TP-SST



PART	MATERIAL
-PG	18 GA PAINT GRIP
-SST	18 GA 304 #4 SST

2.2	SLIGHT ASSEMBLY TWEAKS	6/4/20	MM	AMERICAN SECURITY CABINETS, INC. 2605 5TH STREET NORTH ST. CLOUD, MN 56303 866-268-4955	PROJECT 810-SC
2.1	SLIGHT ASSEMBLY TWEAKS	11/25/19	MM		TITLE M810 SECURITY CABINET HOPPER
2	MH13-DAMP-P + MH13-3DB-P-L/R	10/2/19	MM	TOL: UNLESS OTHERWISE SPECIFIED ANG: ± .5° DIM: XX±.025 .XXX ± .015 ALL FORMING: ± .03 WELDING: ± .06 ALL DIMENSION ARE IN INCHES	MATERIAL SEE TABLE
REVISION	DESCRIPTION	DATE	BY		SHEET 1 OF 1
	RELEASE	1/24/18	MM		SCALE 1:10

